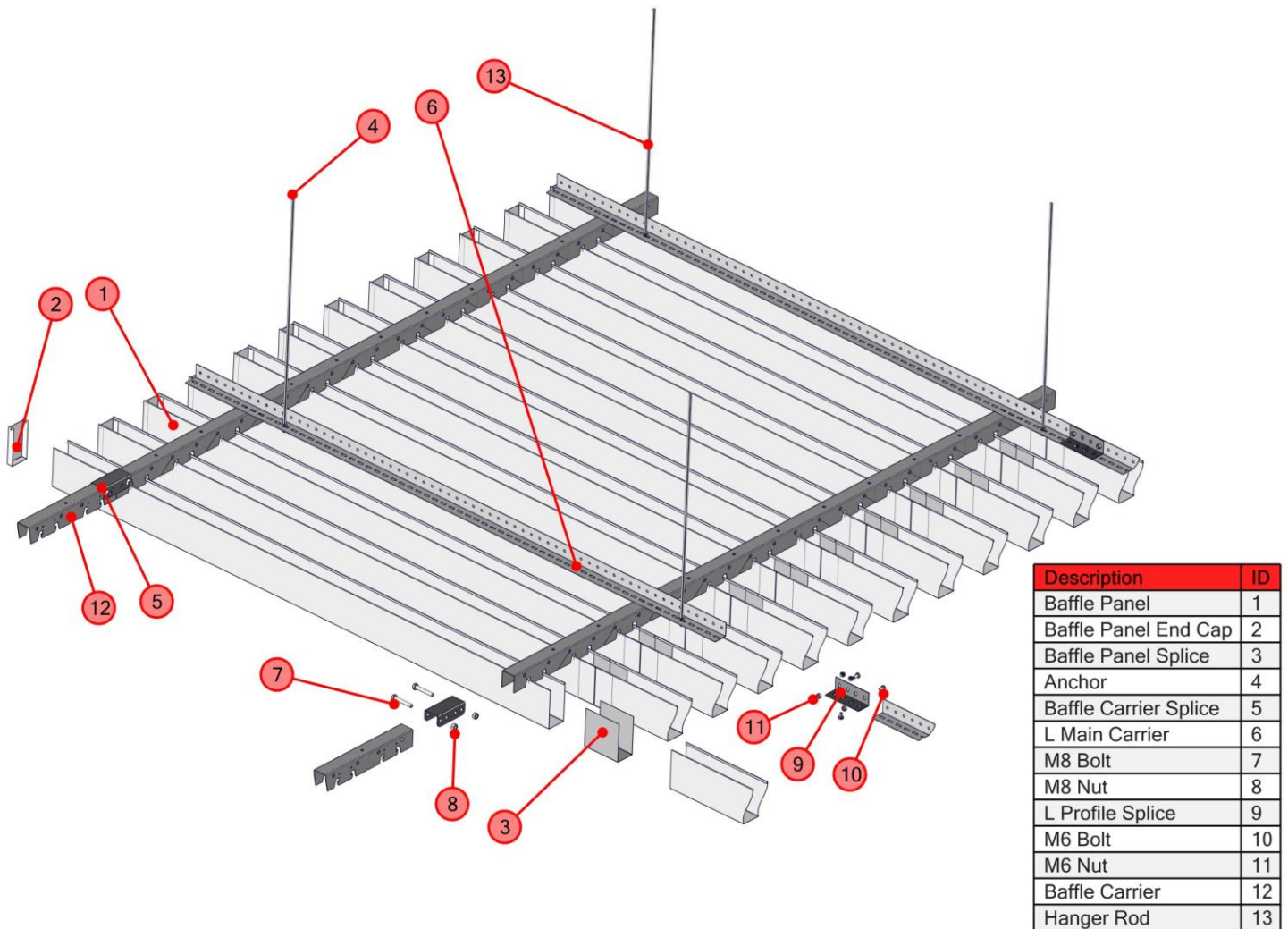




## BAFFLE SYSTEM

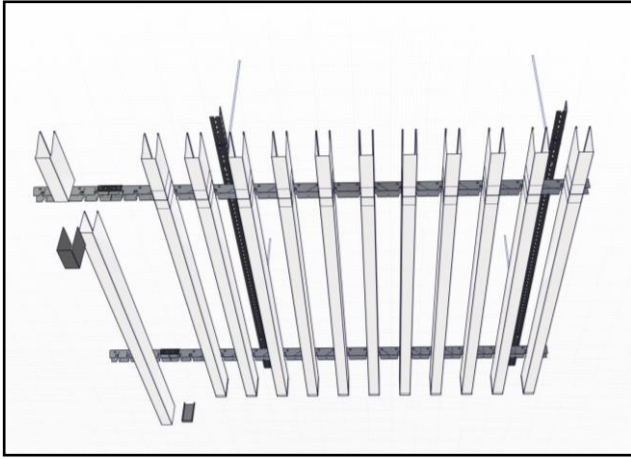
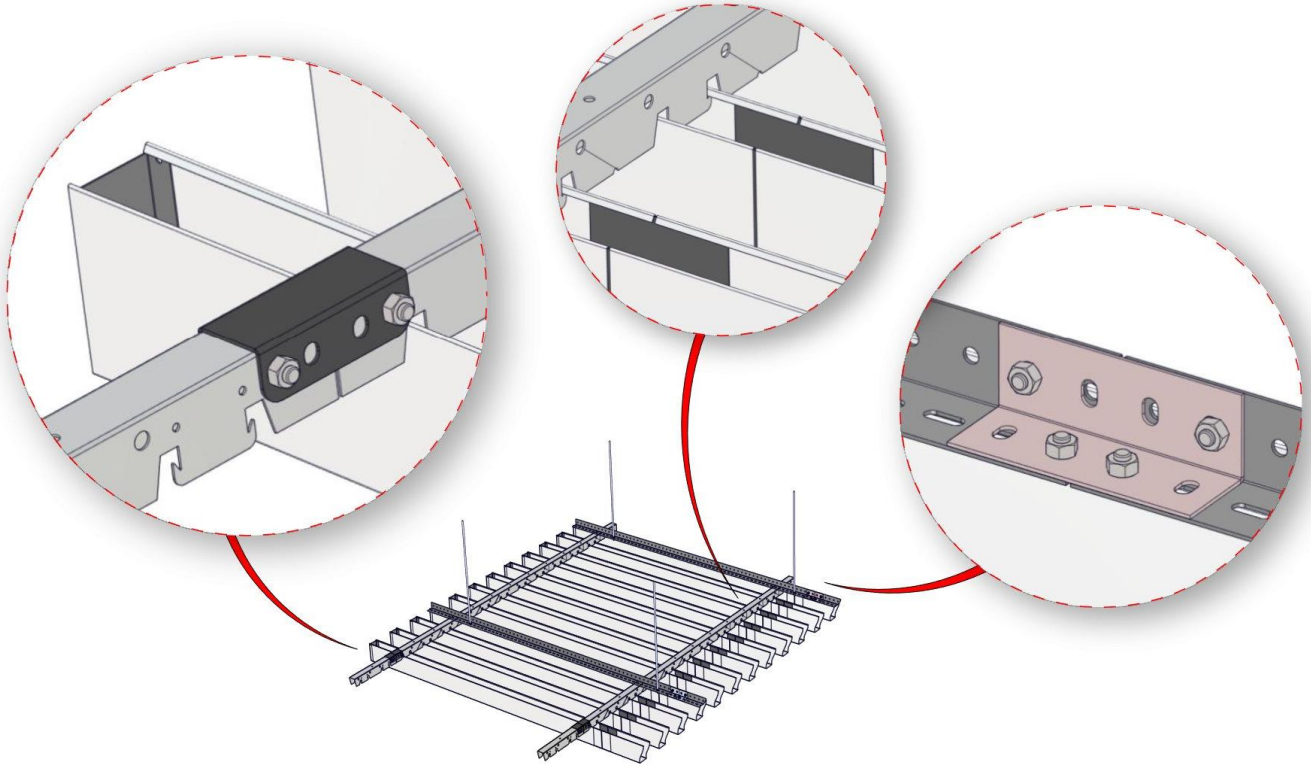


# BAFFLE SYSTEM



- For wide open area design it offers linear continuity.
- Special lock system of carrier profile provides easy, secure and quick mounting.
- Different baffle panel size (W-H) and gap alternatives are possible as production.
- Perforation can be applied for design and acoustic concern.
- Different finishings are possible, RAL color, wood-a-like, Anodized...

# DETAIL VIEW



## Material Options

Galvanized Steel/Aluminum

## Acoustic

High acoustic performance with acoustic fleece up to  $\alpha_w$  : 1,00

## Humidity

Galvanize panel: 90% RH

Aluminum panel: 100 % RH

## Light Reflection

Straight Panel: 9010 Painted % 86

Perforated Panel : 9010 Painted % 72

## Hygiene

High performance in Blocking bacterial formation on panel surfaces by applying anti-microbial paint.

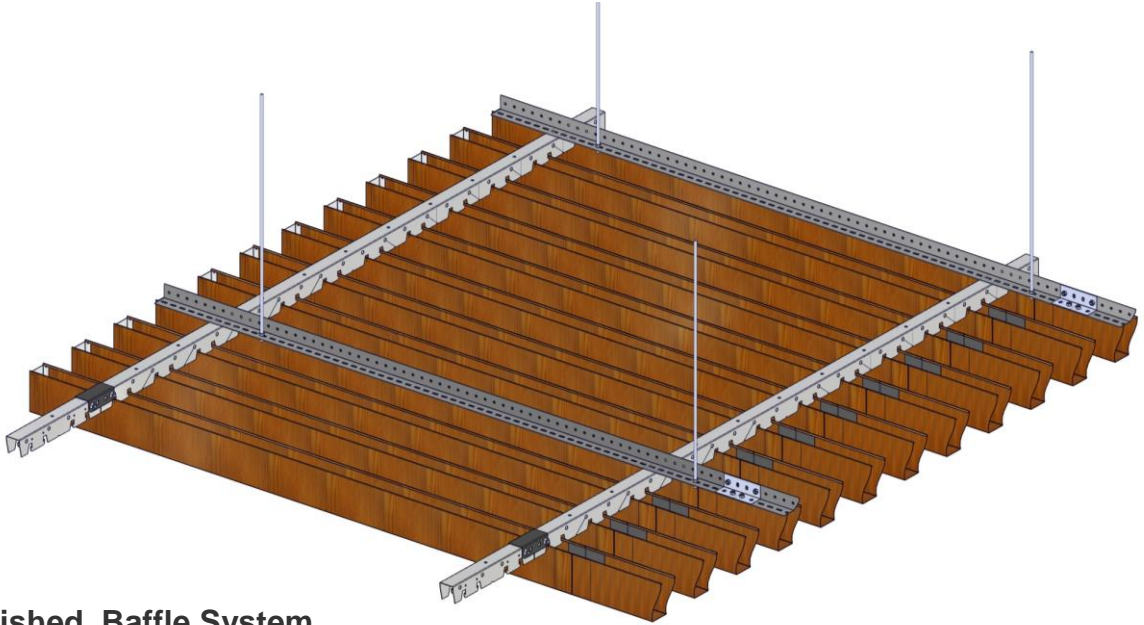
## Paint

Prior to paint, sensitive surface cleaning and phosphate coverage is applied minimum 60 micron powder paint is sprayed by electrostatic system through 6 robots and cooked in a 180 meters long oven. The entire painting process takes place automatically by computer control.

# SPECIAL BAFFLE

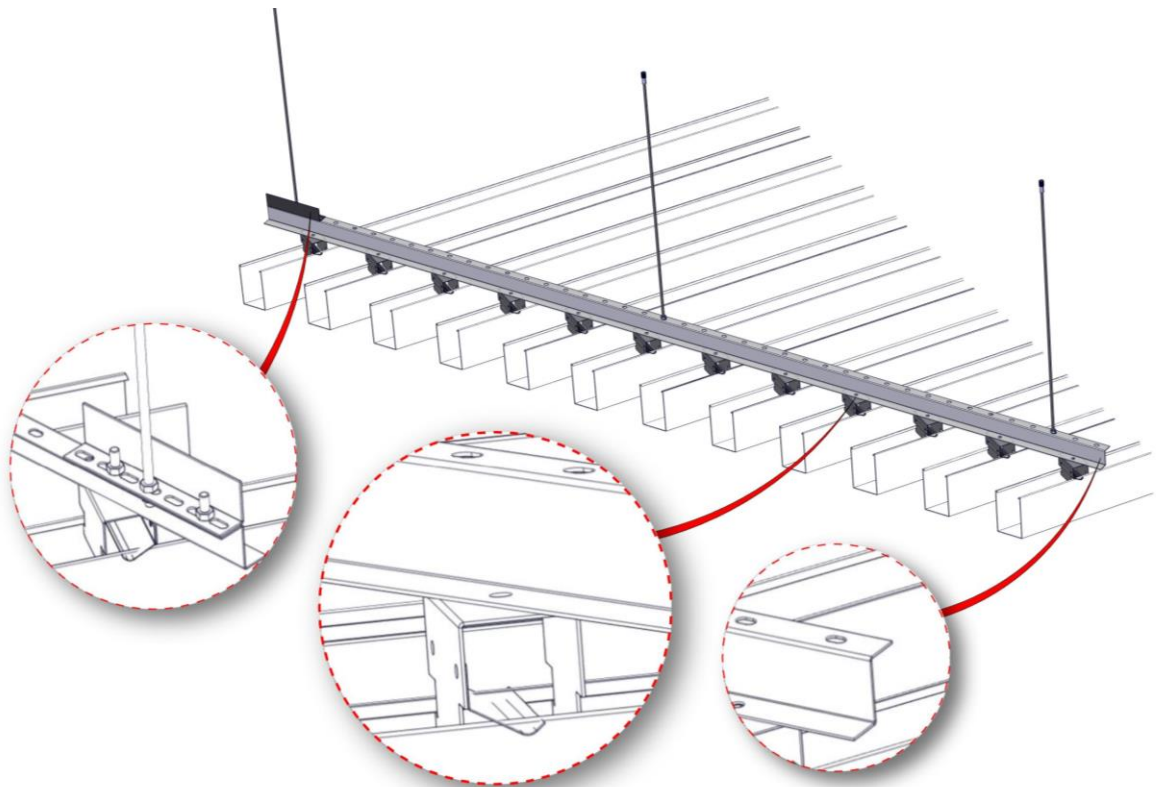
- **Standard Wood-a-like Baffle**

- Wood-a-like baffle ceiling system reflects wood characteristic advantages to the area, at the same time the system eliminates the disadvantage of wood product
- Both Galvanized/ Aluminum material can be applied.



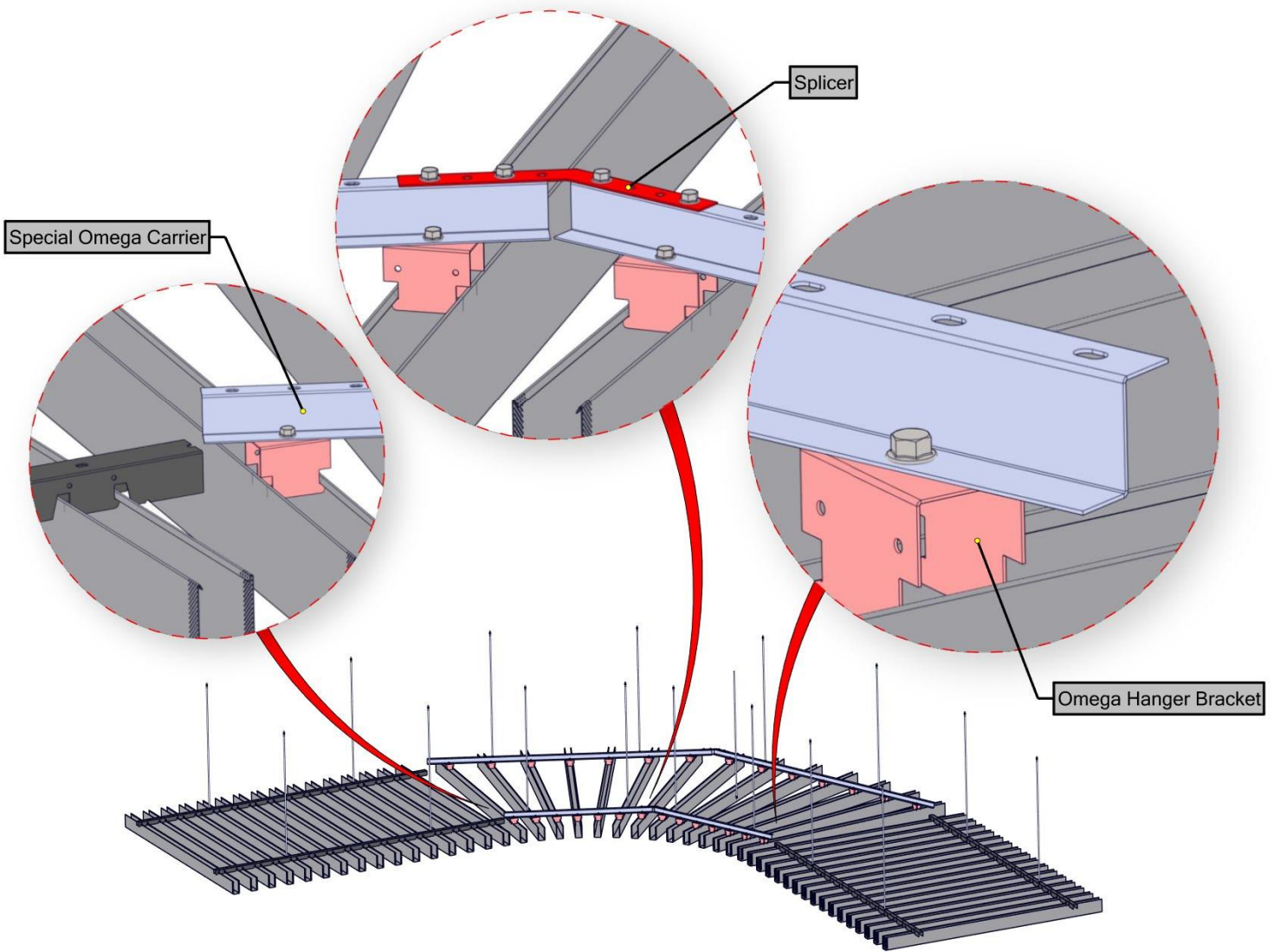
- **Angle Finished Baffle System**

- Any angle finished is possible.





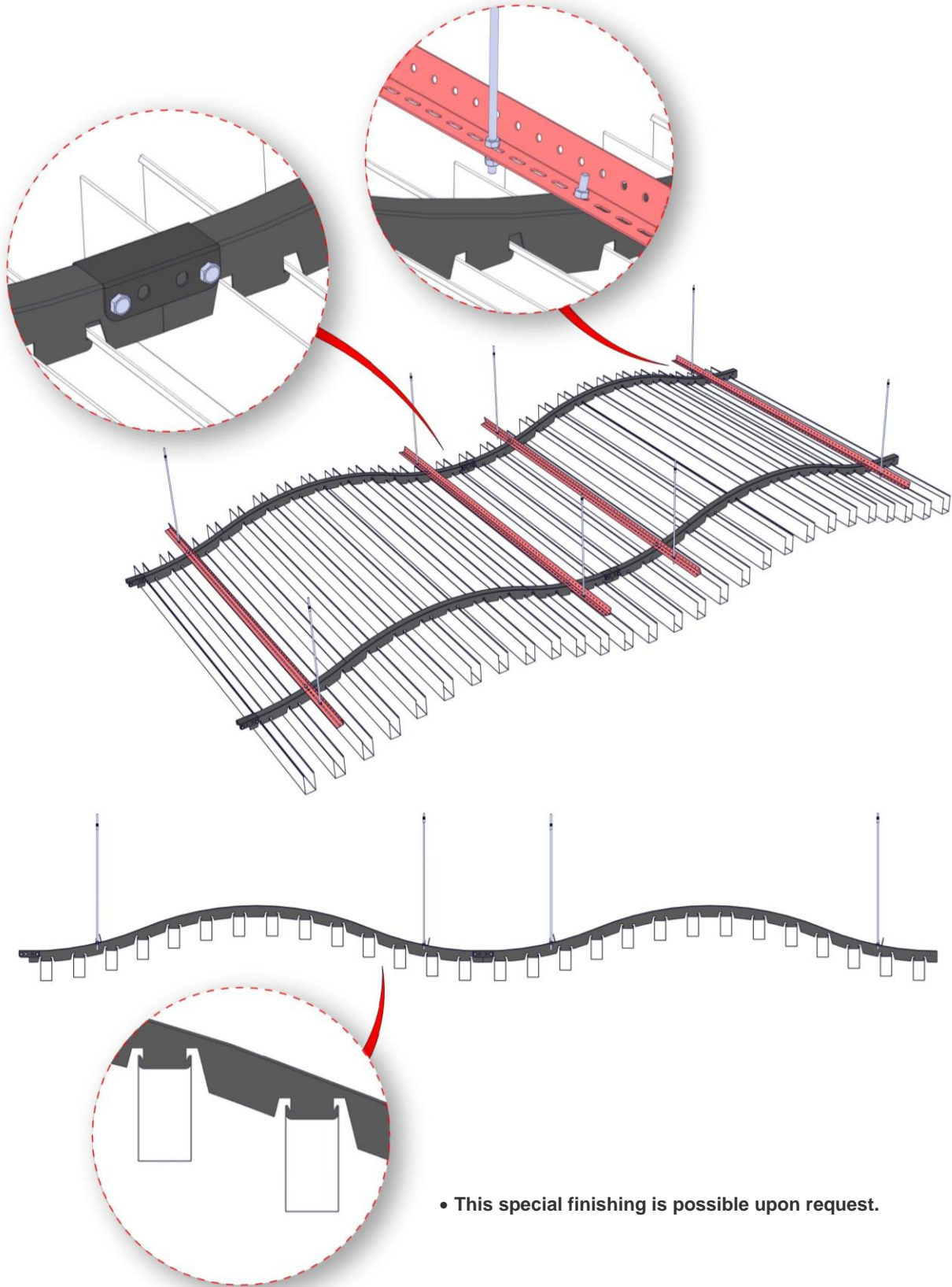
- Radial Baffle System



<p>• Special Omega Carrier</p> <p>38,80 mm</p> <p>35,00 mm</p> <p>1,20 mm Galvanized Steel L : up to 3000 mm</p>	<p>• Splicer</p> <p>120,00 mm</p> <p>112,32 mm</p> <p>20,00 mm</p> <p>120,00 mm</p> <p>112,32 mm</p> <p>1.20 mm Galvanized Steel</p>	<p>• Omega Hanger Bracket</p> <p>60,00 mm</p> <p>45,00 mm</p> <p>35,00 mm</p> <p>1 mm Galvanized Steel</p>
--	--	--

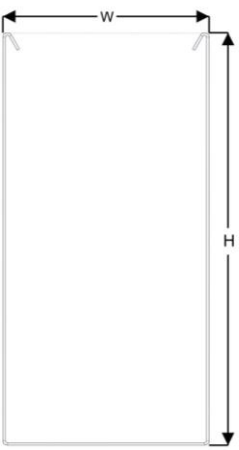
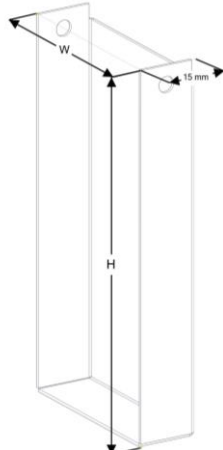
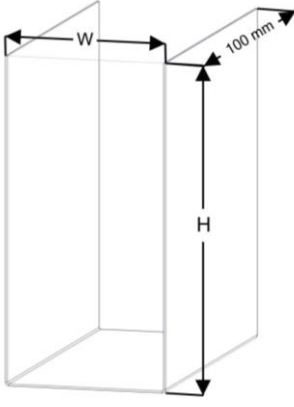
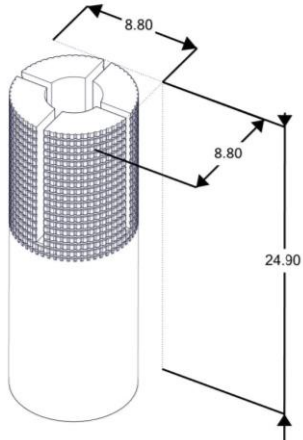
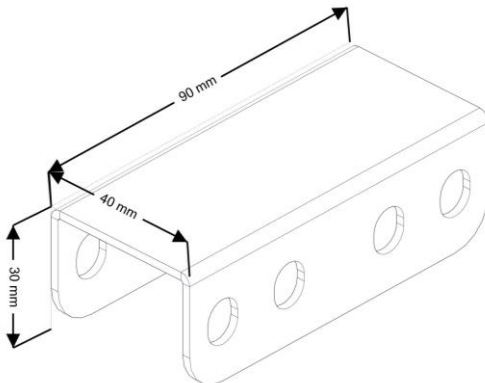
- **Curved Finish on Section Baffle System**

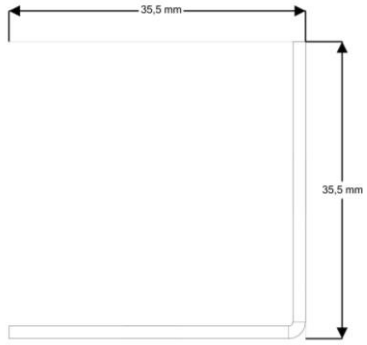
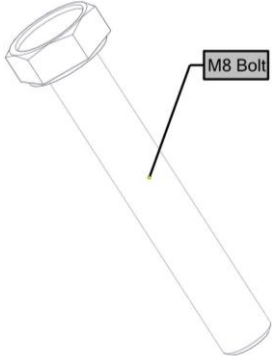
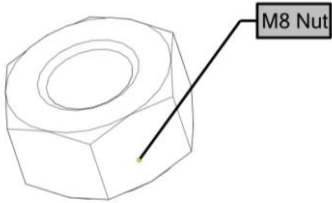
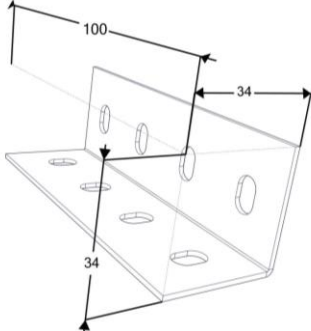
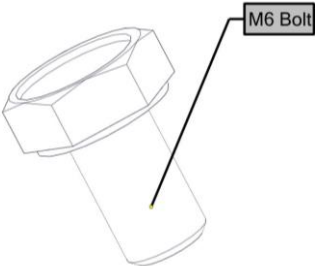
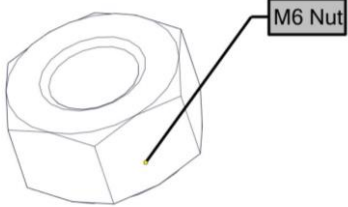
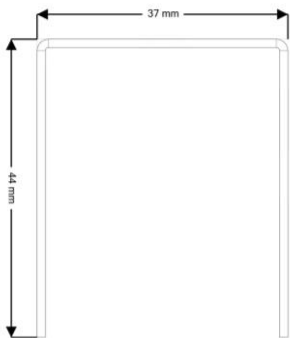
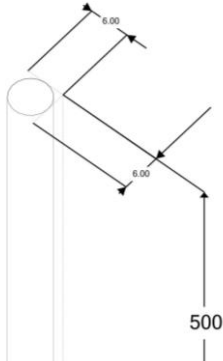
Wavy baffle system does not only offer benefits of standard baffle systems such as openness, transparency but also gives a movement and wavy look to place.



- This special finishing is possible upon request.

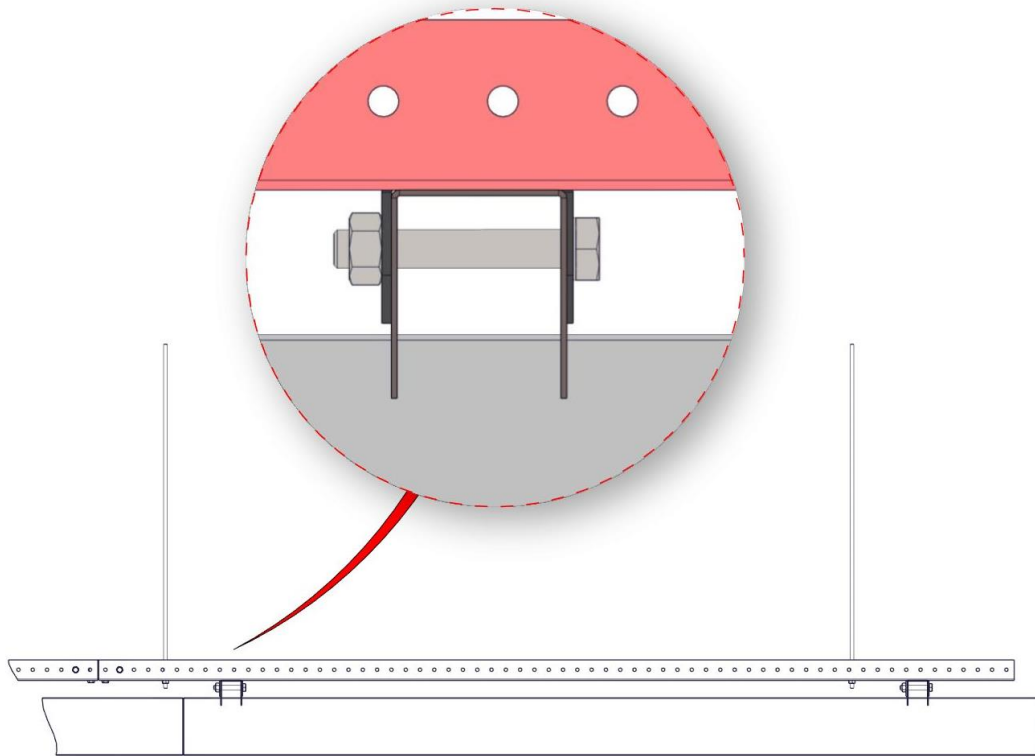
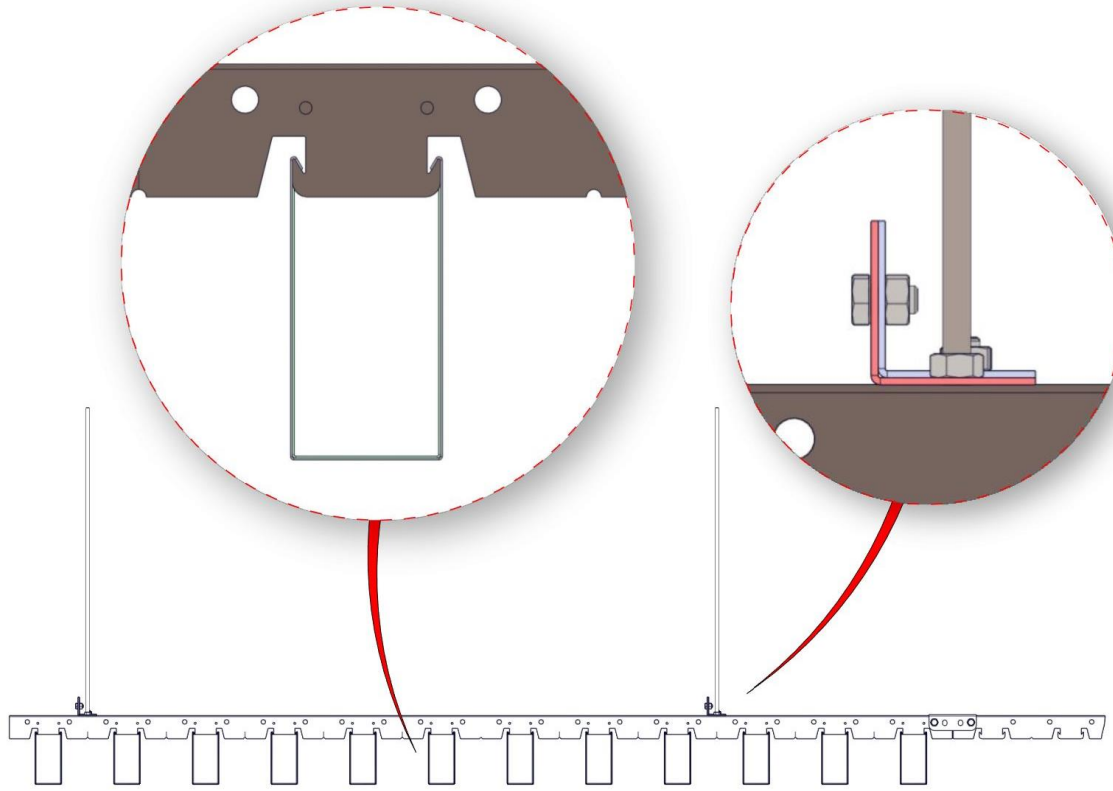
# ELEMENT SPECIFICATION

<p><b>1. Baffle Panel</b></p> 	<p><b>2. End Cap</b></p> 
<p><b>T</b> : 0,50 mm Galvanized Steel / 0,60 mm Aluminum  <b>W</b> : 20 / 30 / 40 / 50 mm    <b>H</b> : Min 40 mm Max 300 mm</p>	<p><b>T</b> : 0,50 mm Galvanized Steel  <b>W</b> : W -1 mm    <b>H</b> : H-1 mm</p>
<p><b>3. Baffle Splicer</b></p> 	<p><b>4. Anchor</b></p> 
<p><b>T</b> : 1 mm Galvanized Steel  <b>W</b> : w-1 mm    <b>H</b> : H-1 mm</p>	<p><b>T</b> : Ø 6 mm Galvanized Steel  <b>H</b> : 25 mm</p>
<p><b>5. Carrier Splicer</b></p> 	
<p><b>T</b> : 1,5 mm Galvanized Steel  <b>W</b> : 40 mm    <b>H</b> : 30 mm    <b>L</b> : 90 mm</p>	

<p><b>6. L Main Carrier</b></p> 	<p><b>7. M8 Bolt</b></p> 
<p><b>T : 1,5 mm Galvanized Steel</b>  <b>W : 35,5 mm    H : 35,5 mm    L : Up to 3000 mm</b></p>	<p><b>Type : M8 X 50 Bolt Steel</b></p>
<p><b>8. M8 Nut</b></p> 	<p><b>9. L Profile Splicer</b></p> 
<p><b>Type : M8 Nut Steel</b></p>	<p><b>T : 1 mm Galvanized Steel</b>  <b>W : 34 mm    H : 34 mm    L : 100 mm</b></p>
<p><b>10. M6 Bolt</b></p> 	<p><b>11. M6 Nut</b></p> 
<p><b>Type : M6x20 Bolt Steel</b></p>	<p><b>Type : M6 Nut Steel</b></p>
<p><b>12. Baffle Carrier</b></p> 	<p><b>13. Hanger Rod</b></p> 
<p><b>T : 1 mm Galvanized Steel</b>  <b>W : 37 mm    H : 44 mm    L : Up to 3000 mm</b></p>	<p><b>T : Ø 6 mm Galvanized Steel</b>  <b>L : Max 2000 mm</b></p>

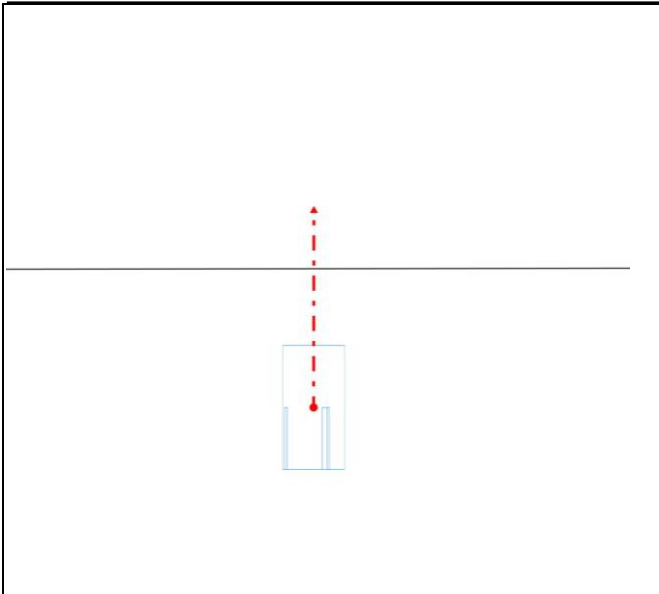


# DETAIL SECTION

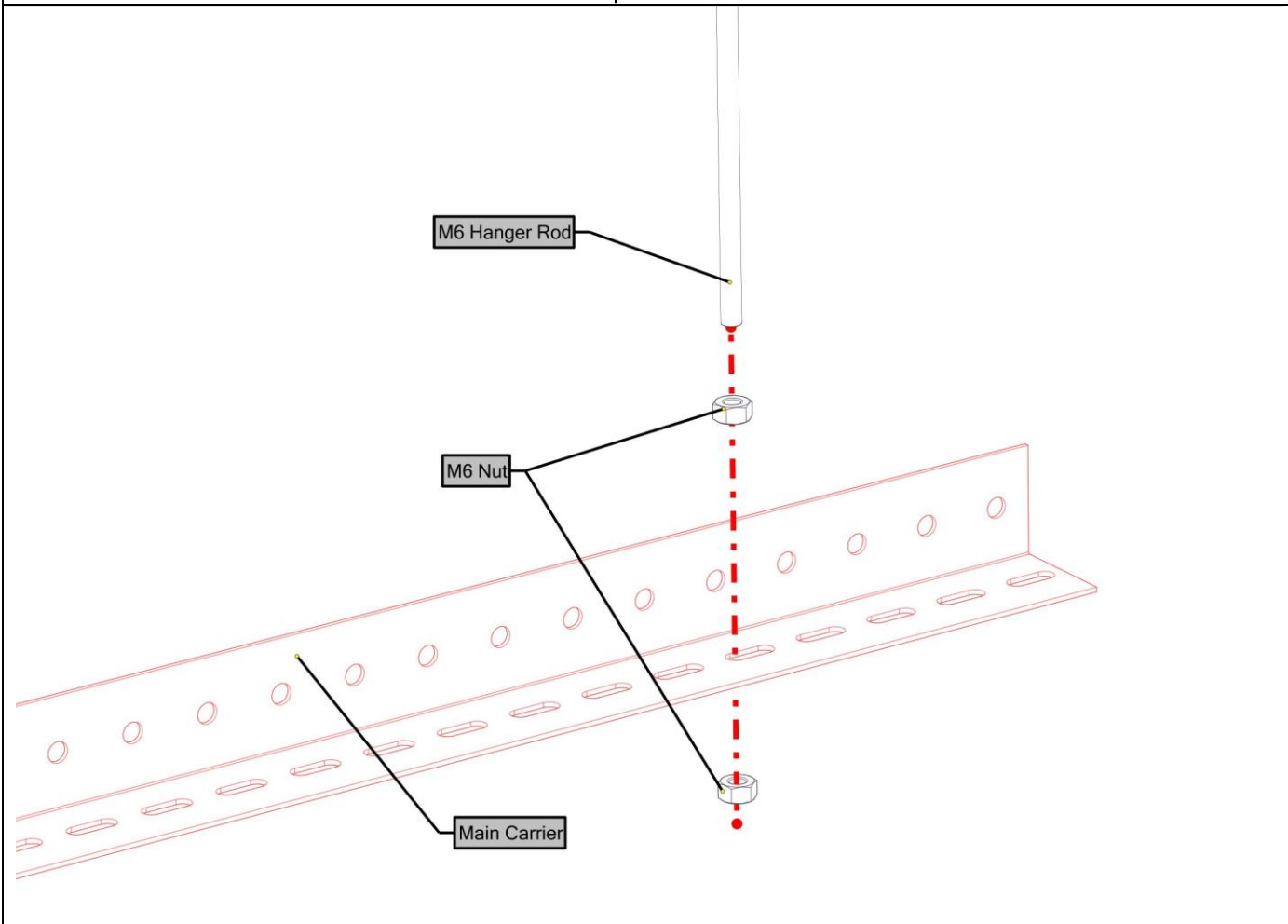
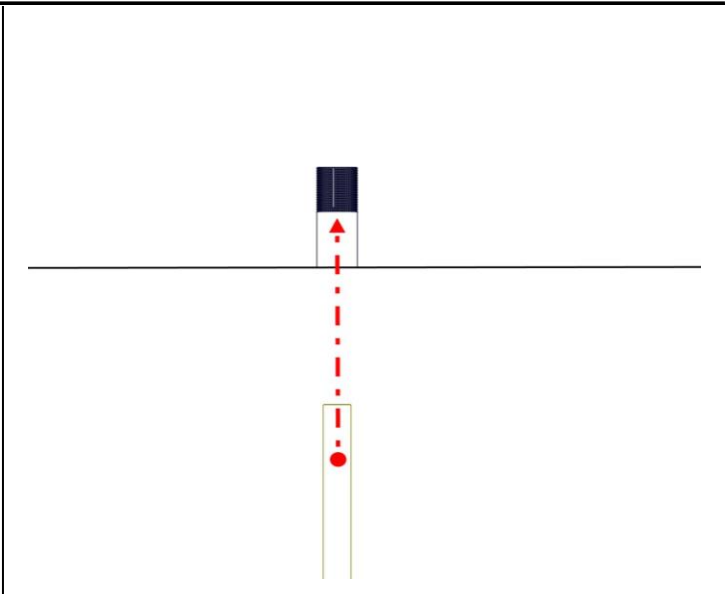


# ASSEMBLY TECHNIQUE

STEP 1.

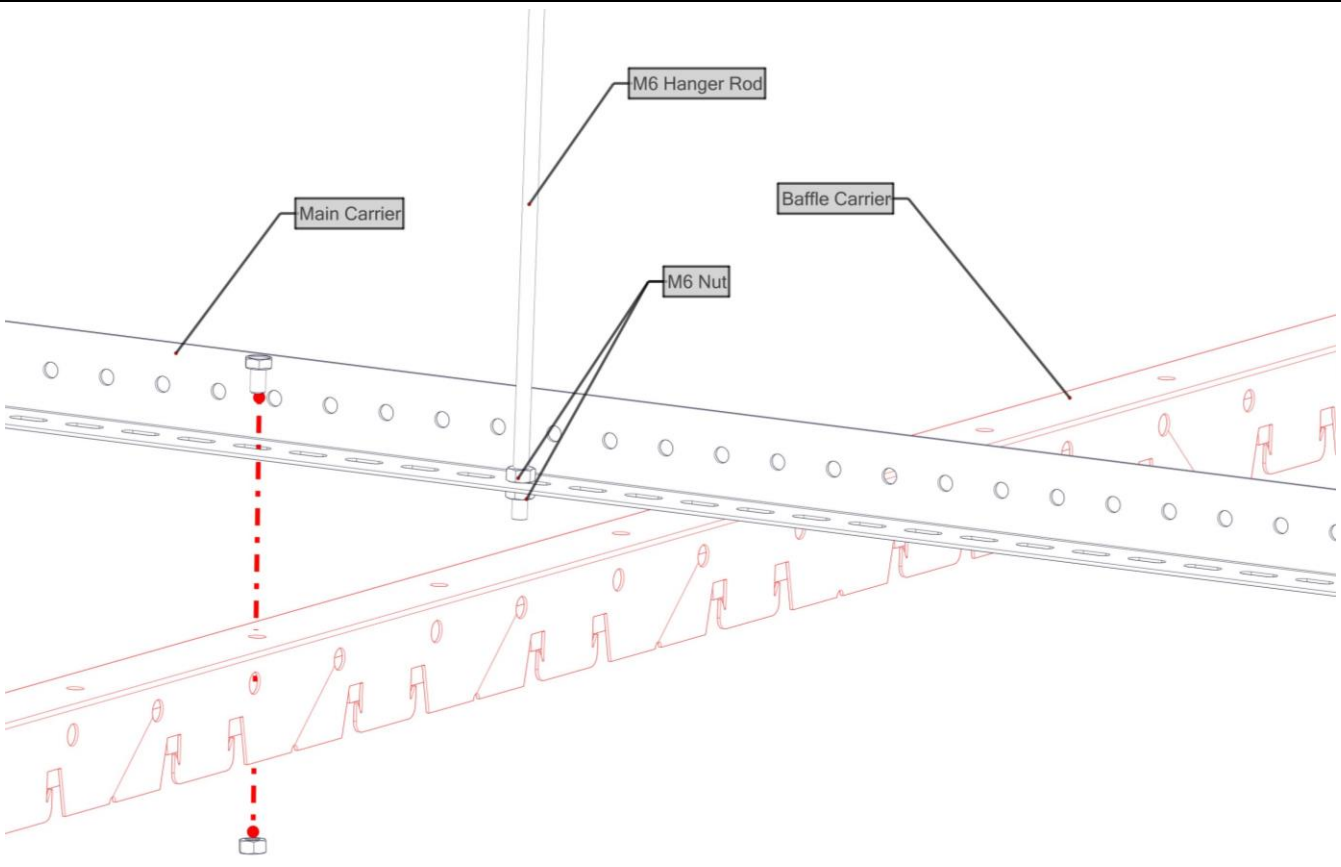
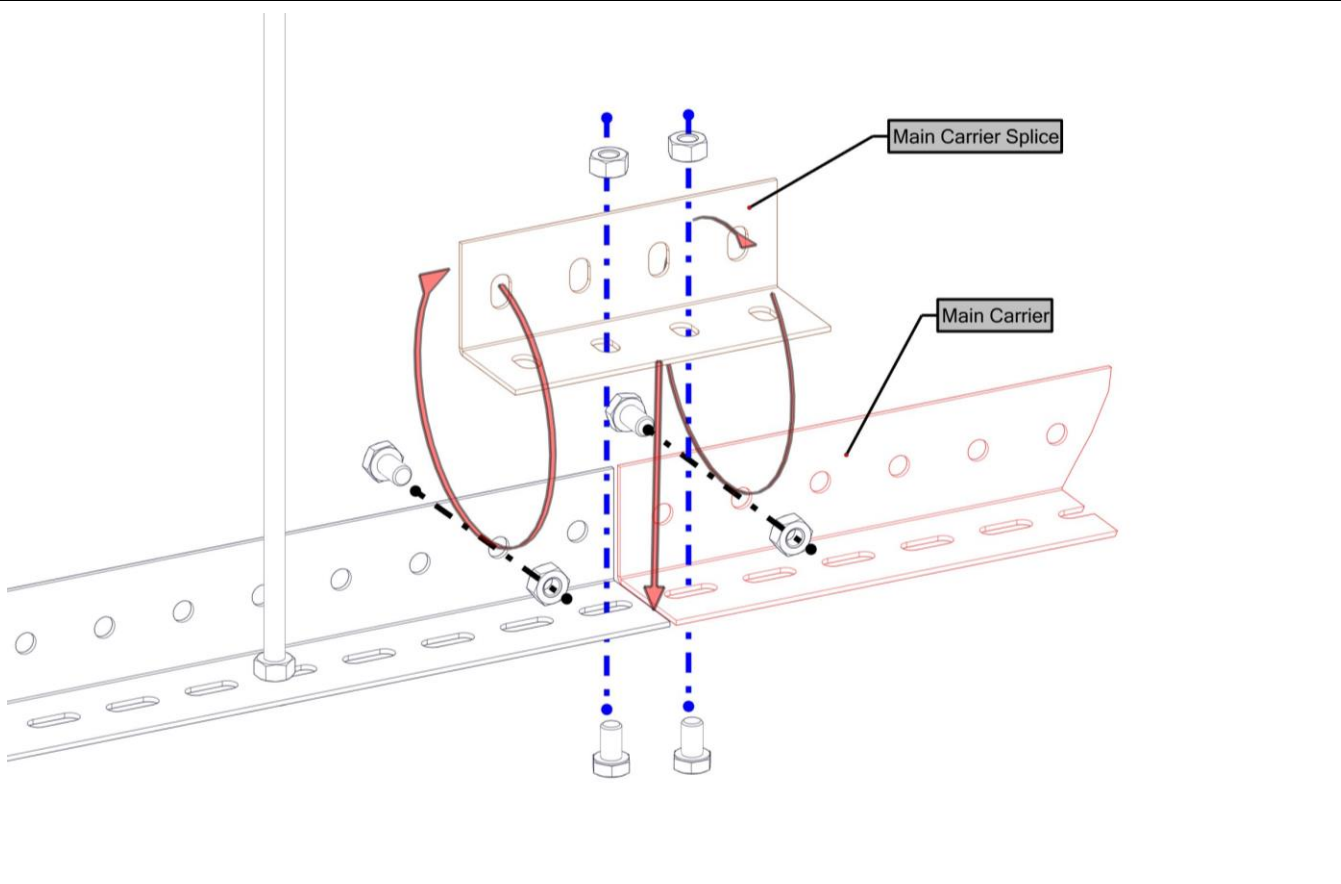


STEP 2.



STEP 3.

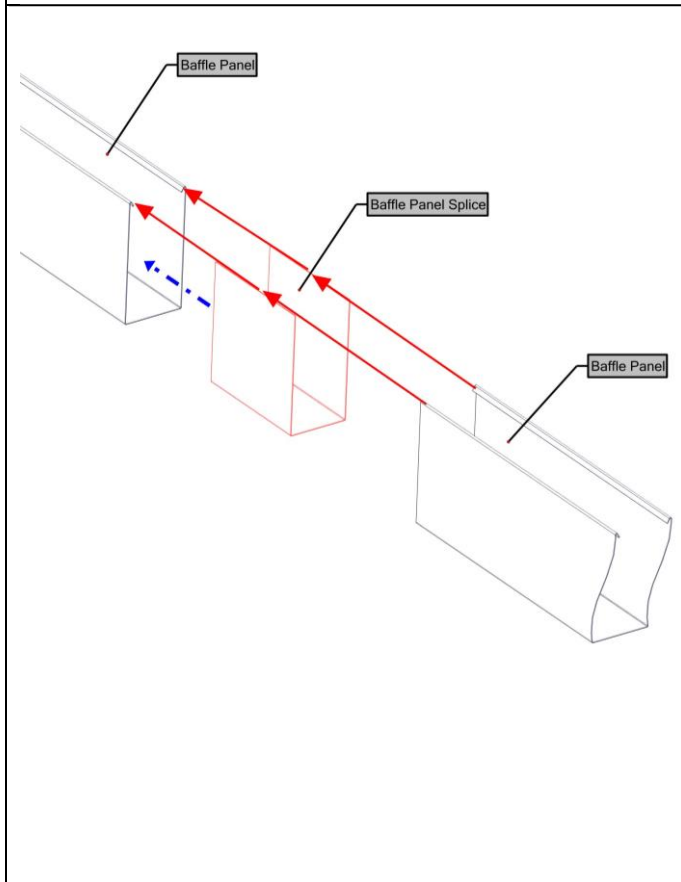
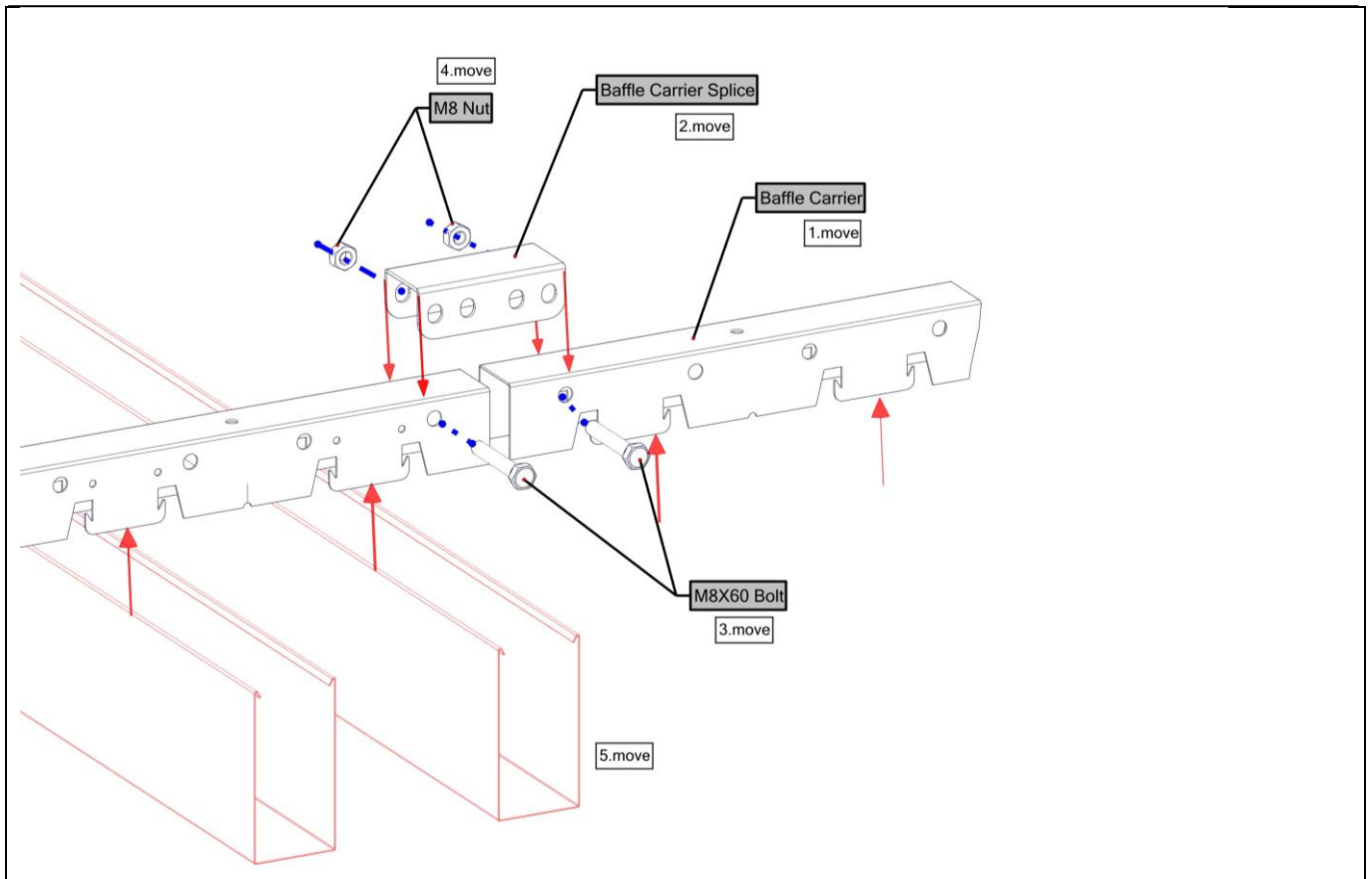
STEP 4.



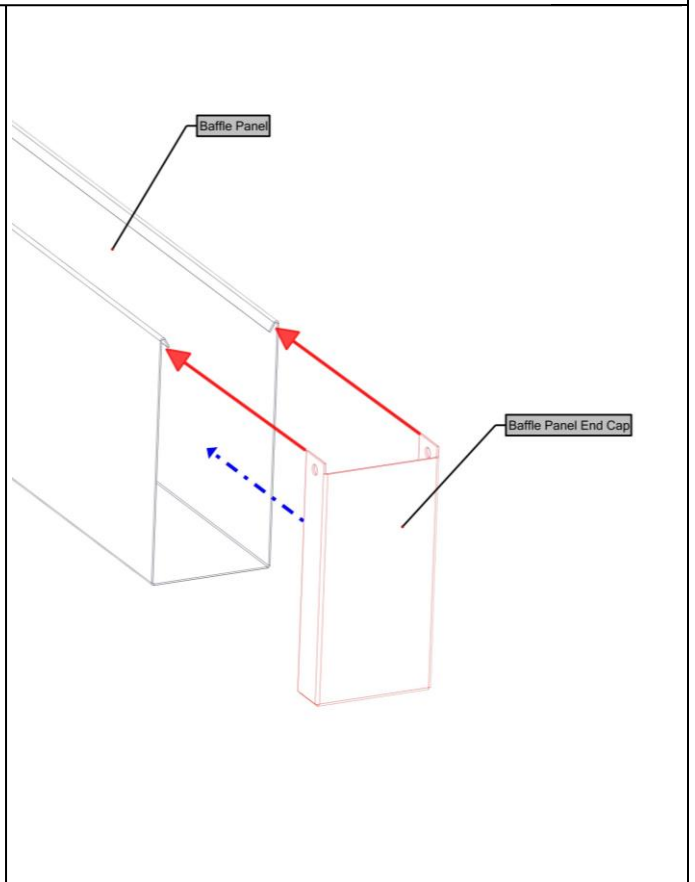
STEP 5.



# STEP 6.



# STEP 7.



# STEP 8.

# Declaration of Performance



No:A-INT.PD20171001-01

1.Uniquade identification code of the product-type:	"BUTEM" Metal Ceiling Systems
2.Type, batch or serial number or any other element allowing identification of the construction product as required pursuant to Article 11 (4):	Product Type, Order/Batch Nr.
3.Intended use or uses of the construction product, in accordance with the applicable harmonized technical specification, as foreseen by the manufacturer:	Internally, to produce an installed suspended ceiling
4.Name, registered trade name or registered trade mark and contact address of the manufacturer as required pursuant to Article 11 (5):	<b>BÜTEM METAL FORM SANAYİ TİCARET A.Ş.</b> Osman Gazi Mahallesi Ziya Gökalp Caddesi No:10 Esenyurt Istanbul Turkey T:+90 (212)886 33 00 F:+90 (212) 886 33 10 www.butemmetal.com.tr
5.Where applicable, name and contact address of the authorized representative whose mandate covers the tasks specified in Article 12 (2):	Not Applicable
6.System or systems of assessment and verification of constancy of performance of the construction product as set out in Annex V:	Systems 3
1. Column ring provide standard finishings for round columns concerning a construction product covered by a harmonized standard:	(a)The manufacturer carrying out factory production control; (b) Turkish Standards Institution (TSE) /Notified Body No:1783 Fire classification report (Report NO:1SE-19.01.2017-1/0050) according to TS EN 13501-1+A1:2013-04 as the notified testing laboratory (based on sampling carried out by the manufacturer).
8.In case of the declaration of performance concerning a construction product for which a European Technical Assessment has been issued:	Not Applicable

# Declaration of Performance



No:A-INT.PD20171001-01

## 9.Declared Performance

- (a) Column 1 shall contain the list of essential characteristics as determined in the harmonized technical specifications for the intended use or uses indicated in point 3 above.
- (b) For each essential characteristic listed in column 1 and in compliance with the requirements of Article 6, Column 2 shall contain the declared performance, expressed by level or class, or in a description, related to the corresponding essential characteristics. The letters 'NPD' (No Performance Determined) shall be indicated where no performance is declared.
- (c) For each essential characteristic listed in column 1, column 3 shall contain:
- I-Dated reference of the corresponding harmonized standard and, where relevant, the reference number of the Specific or Appropriate Technical Documentation used; or
  - II-Dated reference of the corresponding European Assessment Document where available and reference number of the European Technical Assessment used.

Essential Characteristics	Performance	Harmonized Technical Specification
<b>Reaction To fire</b>	A2-s1, d0	TS EN 13964:2014-04 + TS EN13501-1+A1:2010
<b>Release of Dangerous Substances</b>	No Content	TS EN 13964:2014-04 + TS EN13501-1+A1:2010
<b>Flexural Tensile Strength</b>	NPD	TS EN 13964:2014-04 + TS EN13501-1+A1:2010
<b>Thermal Conductivity</b>	NPD	TS EN 13964:2014-04 + TS EN13501-1+A1:2010
<b>Durability</b>	Corrosion Class B	TS EN 13964:2014-04 + TS EN13501-1+A1:2010
<b>Sound Absorption Single Value <math>a_w</math></b>	See Table Below	TS EN 13964:2014-04 + TS EN13501-1+A1:2010

Sound Absorption Single Value $a_w$	Perforation Types		
	Ø1,5 mm	Ø1,8 mm	Ø2,5 mm
JM 60	-	0,35	0,35
Royalin R6/60	0,60		
JM 60 Double	0,45		
JM60 with 25 mm 50 kg/m <sup>3</sup> rockwool	1,00		

10.The performance of the product identified in point 1 and 2 is in conformity with he declared performance in point 9.

This declaration of performance is issued under the sole responsibility of the manufacturer identified in point 4.