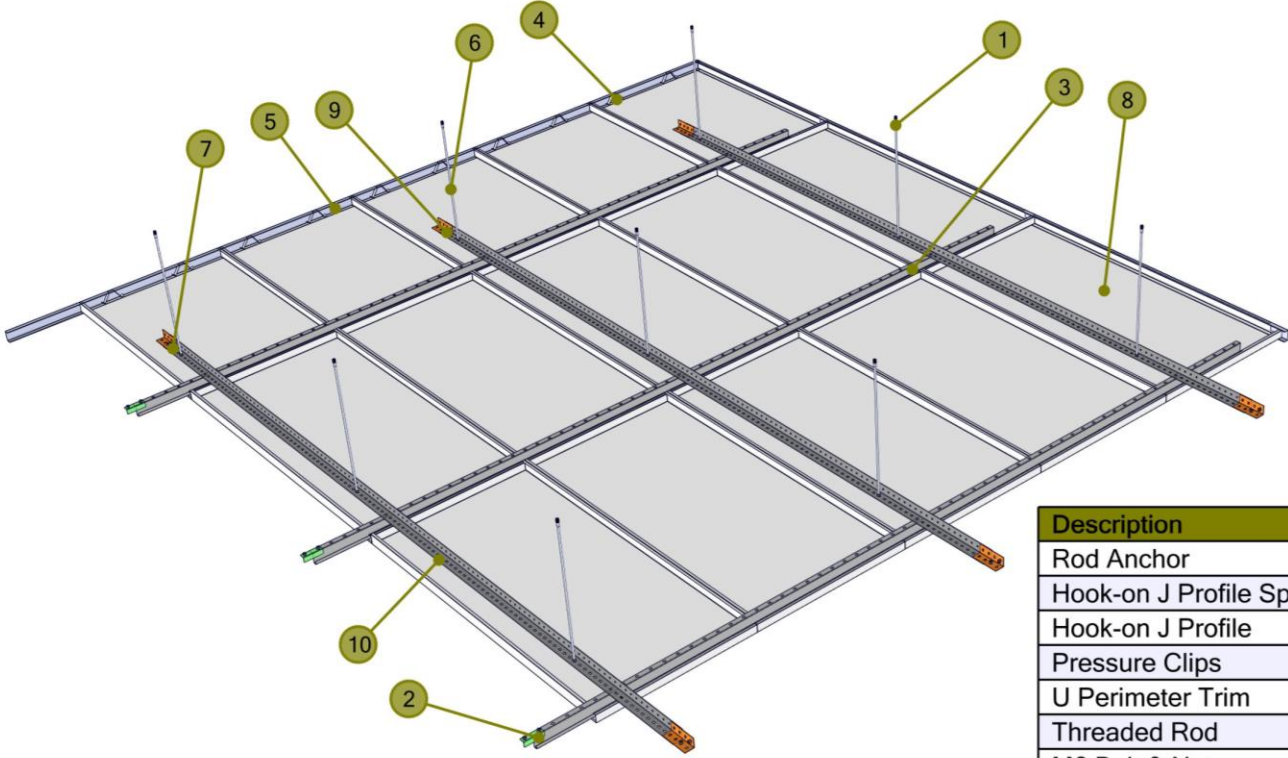




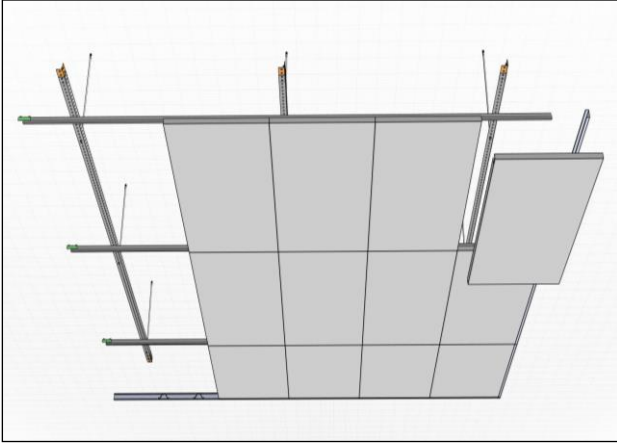
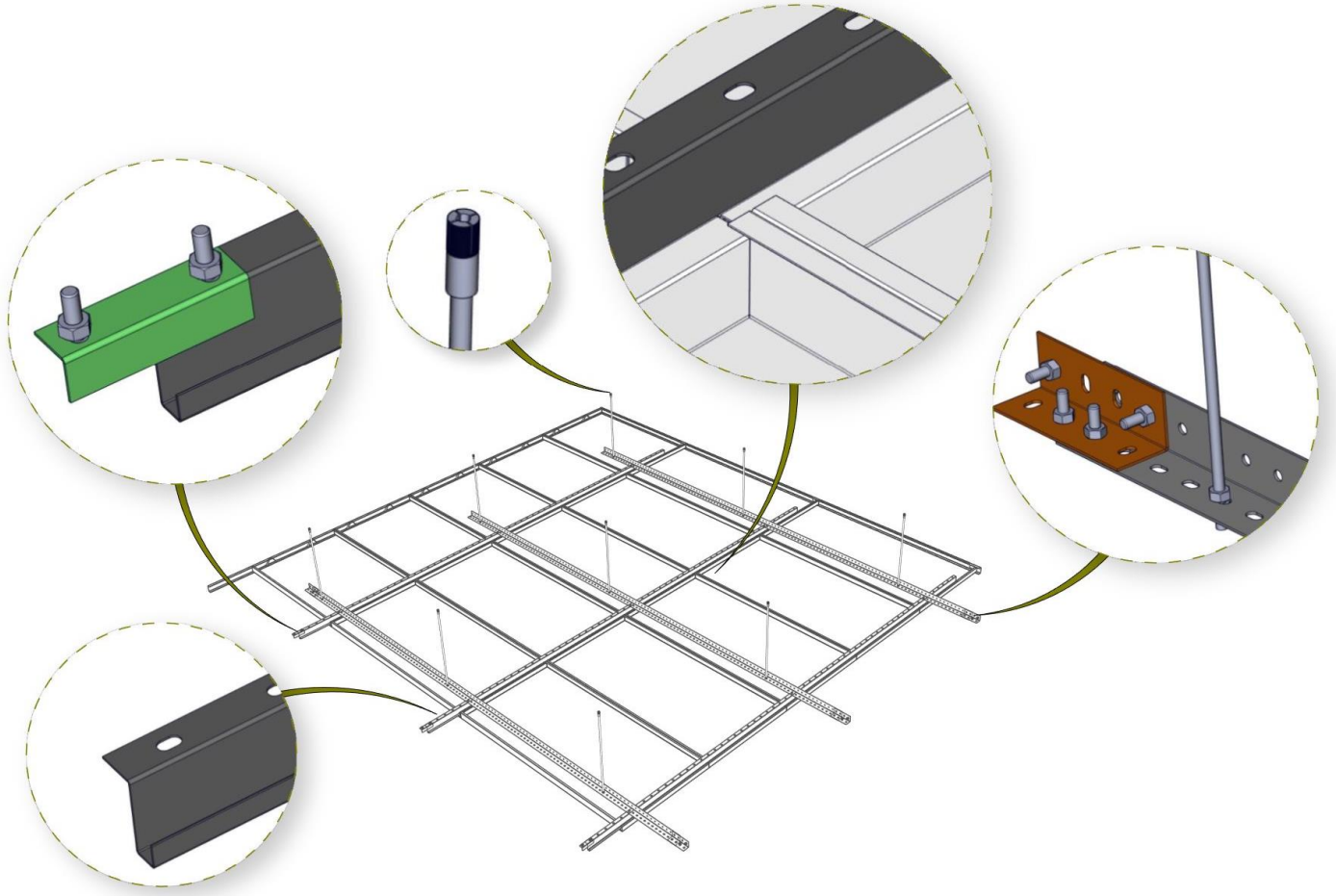
## HOOK-ON SİSTEM

# HOOK-ON SİSTEM



Description	ID
Rod Anchor	1
Hook-on J Profile Splicer	2
Hook-on J Profile	3
Pressure Clips	4
U Perimeter Trim	5
Threaded Rod	6
M6 Bolt & Nut	7
Hook-on Panel	8
L Main Carrier Splicer	9
L Main Carrier Profile	10

- Hook-on Sistem ile özel boyutlu panellerde, tasarımları gerçekleştirmek çok daha kolay ve güvenlidir. hook-on paneli L şeklindeki Ana taşıyıcıya çapraz yönde asılı J çapraz taşıyıcılara asılır.
- Gizli bir sistem olmasından dolayı, Hook-on panellerin monolitik görünümü vardır.
- Kurulumu ve sökümü çok kolaydır. Tek bir sistemde farklı boyutta panellere sahip olmak da mümkündür.



## PANEL MALZEME SEÇENEKLERİ

Galvaniz Çelik/Alüminyum/Paslanmaz Çelik

## AKUSTİK

Akustik kumaş ile  $\alpha_w$ : 1,00 e kadar yüksek ses yutma değerleri

## NEM / HUMIDITY

Galvaniz panel : 90% RH  
Alüminyum panel : 100 % RH

## IŞIK YANSITMA

Perforesiz : 9010 Boyalı % 86  
Perforeli : 9010 Boyalı % 72

## HİJYEN

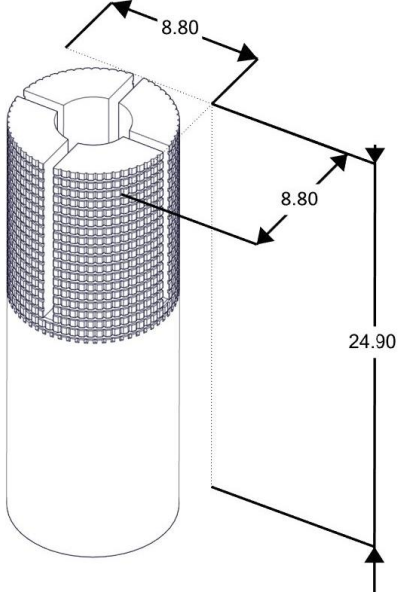
Anti-Mikrobiyal boya sayesinde, panel yüzeyindeki bakteri oluşumunu engellemede yüksek performans sağlanır.

## BOYA

Boya öncesinde, hassas yüzey temizliği ve fosfat kaplaması uygulanır. 6 robot kollu elektro static system sayesinde minimum 60 mikron boya panele uygulanır ve 180 mt uzunluğundaki fırında pişirilir. Tüm boyama işlemi otomatik olarak bilgisayar kontrolünde gerçekleşir.

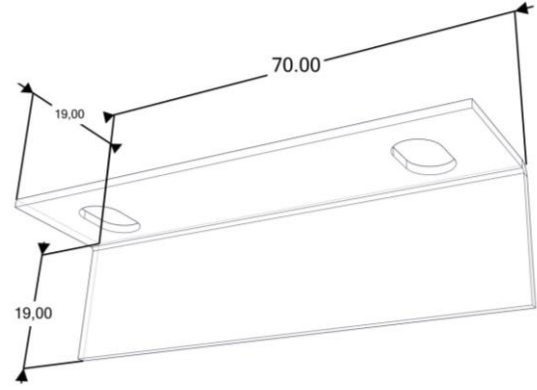
# SİSTEM PARÇALARI ÖZELLİKLERİ

## 1. Dübel



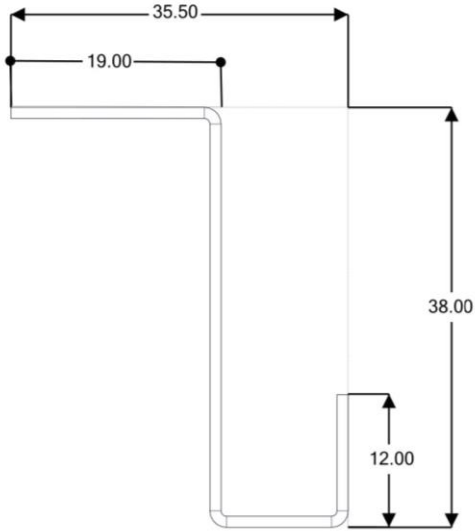
T : Ø 6 mm Galvaniz Çelik  
H : 25 mm

## 2. Hook-on J Profil Ekleme



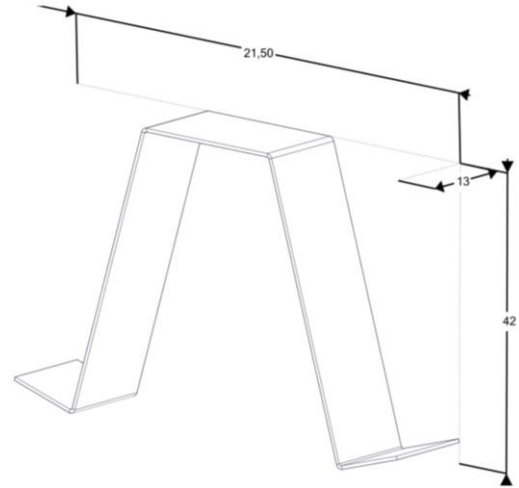
T : 1 mm Galvaniz Çelik  
W : 19 mm H : 19 mm L : 70 mm

## 3. Hook-on J Profil

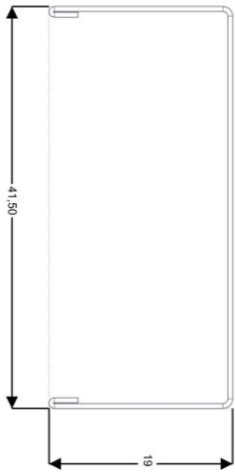
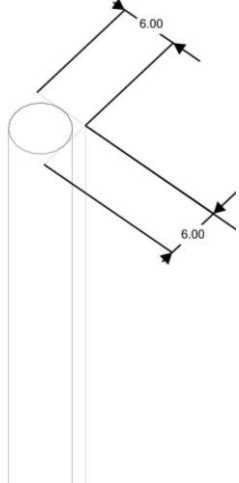
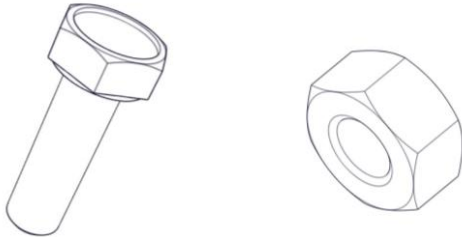
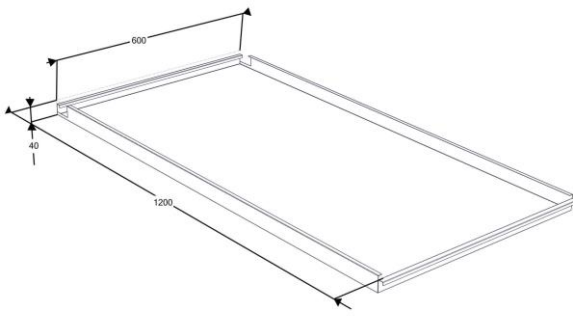
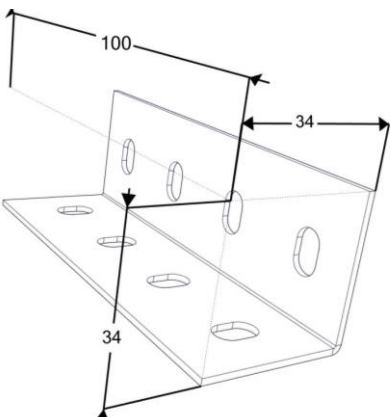
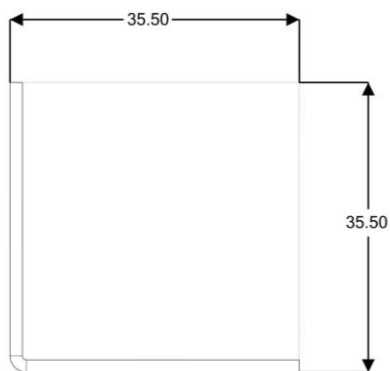


T : 1 mm Galvaniz Çelik  
W : 35,5 mm H : 38 mm L : Up to 3000 mm

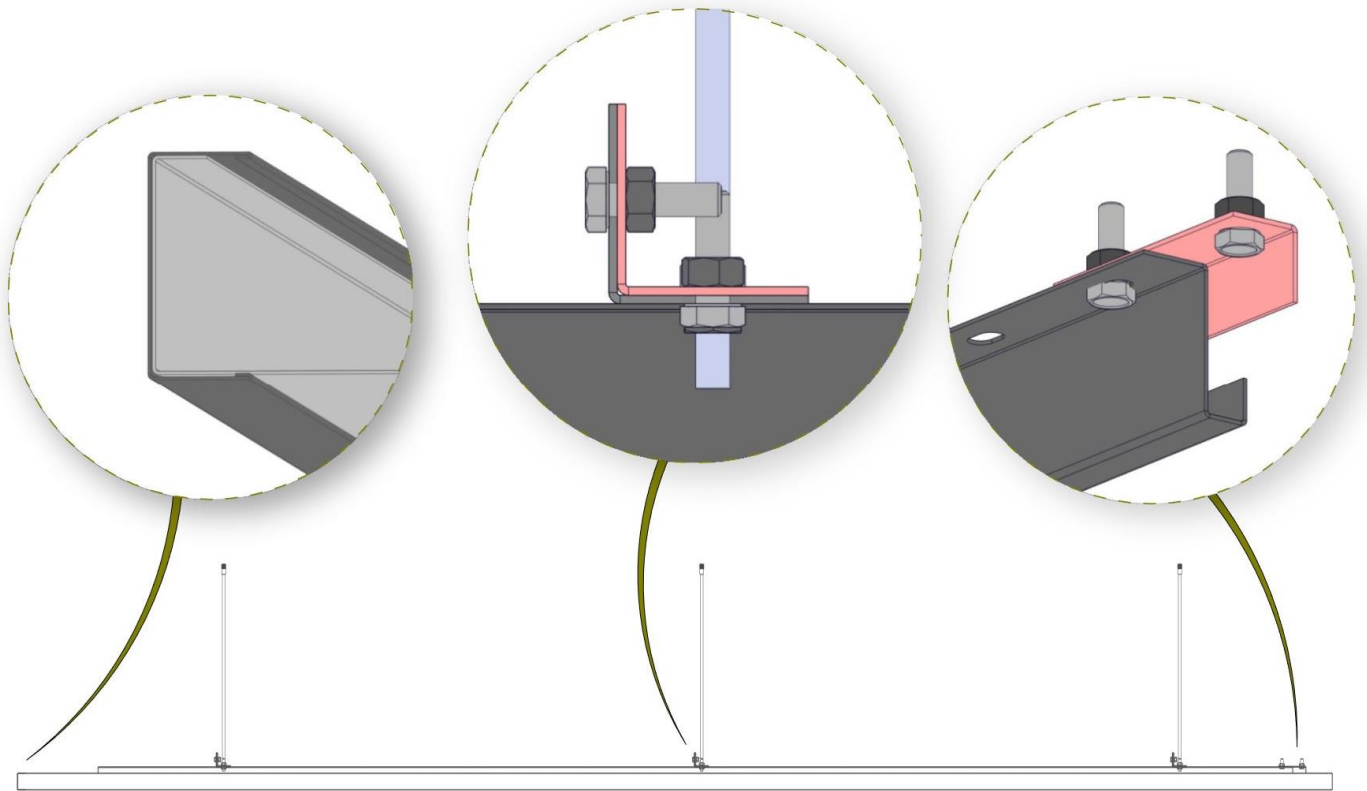
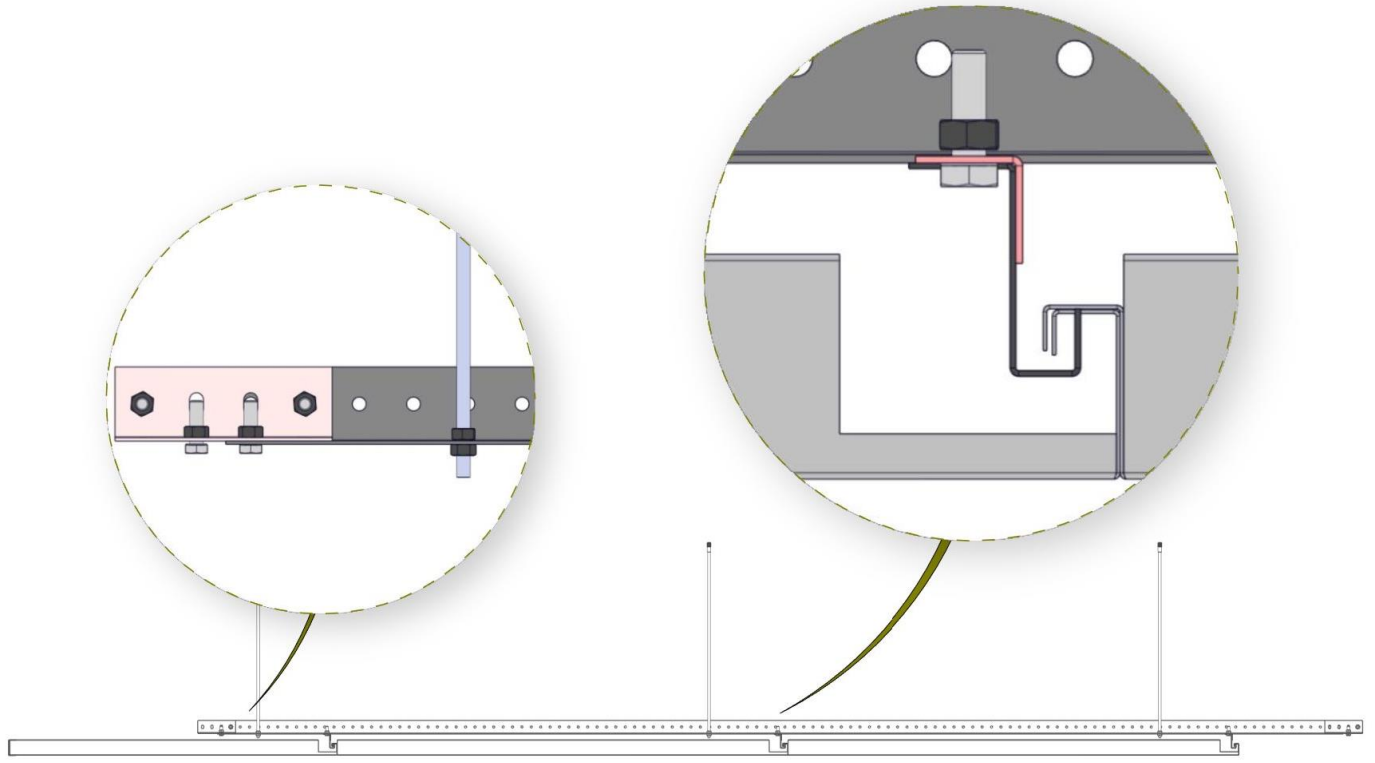
## 4. Kenar Baskı Yayı



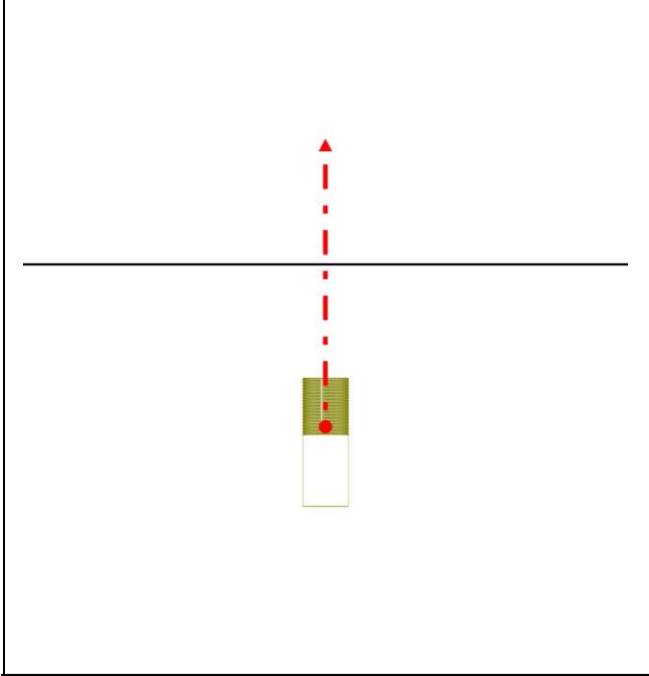
T : 0,50 mm Yay Çeliği

<p><b>5. U Köşebent</b></p> 	<p><b>6. Askı Teli</b></p> 
<p><b>T : 0,5 mm Boyalı Çelik</b>  <b>W : 19 mm H : 41,5 mm L : Up to 3000 mm</b></p>	<p><b>T : Ø 6 mm Galvaniz Çelik</b>  <b>L : Max 2000 mm</b></p>
<p><b>7. M6x15 Civata</b>      <b>M6 Somun</b></p> 	<p><b>8. Hook-on Panel</b></p> 
<p><b>Type : M6x20 Civata / Somun Çelik</b></p>	<p><b>T : 0,6 mm Galvaniz Çelik / 0.70 mm Alüminyum</b></p>
<p><b>9. L Ana Taşıyıcı Ekleme</b></p> 	<p><b>10. L Ana Taşıyıcı Profil</b></p> 
<p><b>T : 1 mm Galvaniz Çelik</b>  <b>W : 34 mm H : 34 mm L : 100 mm</b></p>	<p><b>T : 1,5 mm Galvaniz Çelik</b>  <b>W : 35,5 mm H : 35,5 mm L : up to 3000 mm</b></p>

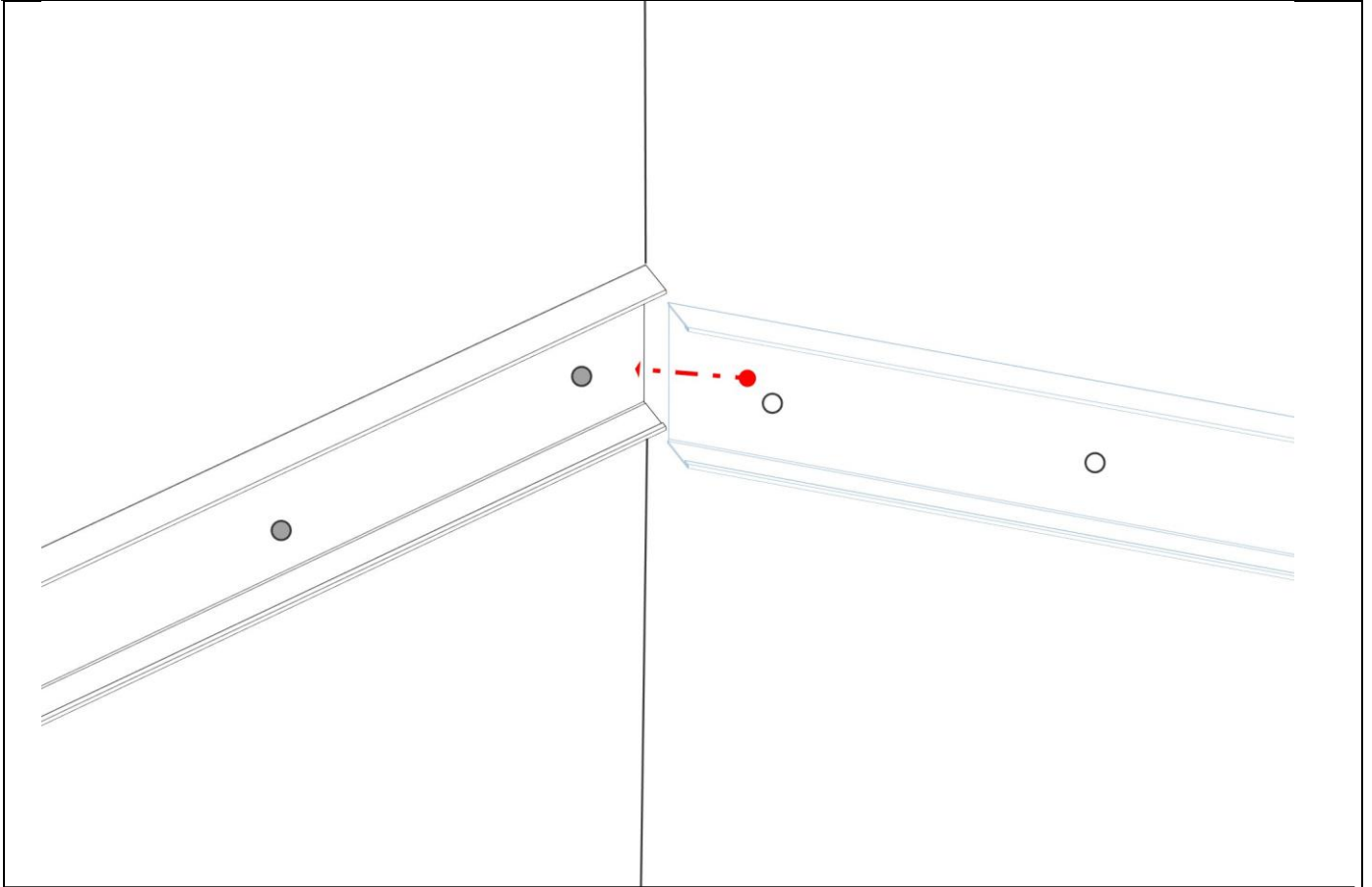
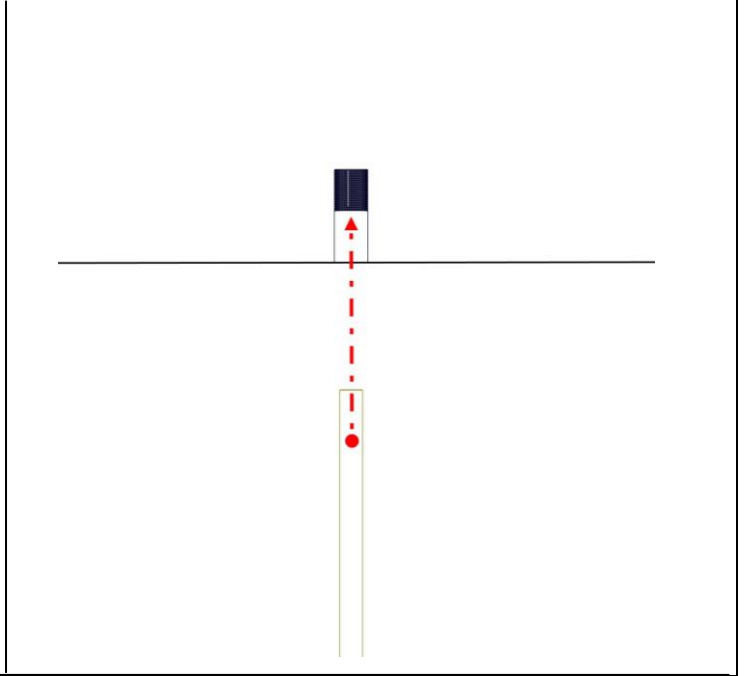
# DETAYLI KESİT



ADIM 1.

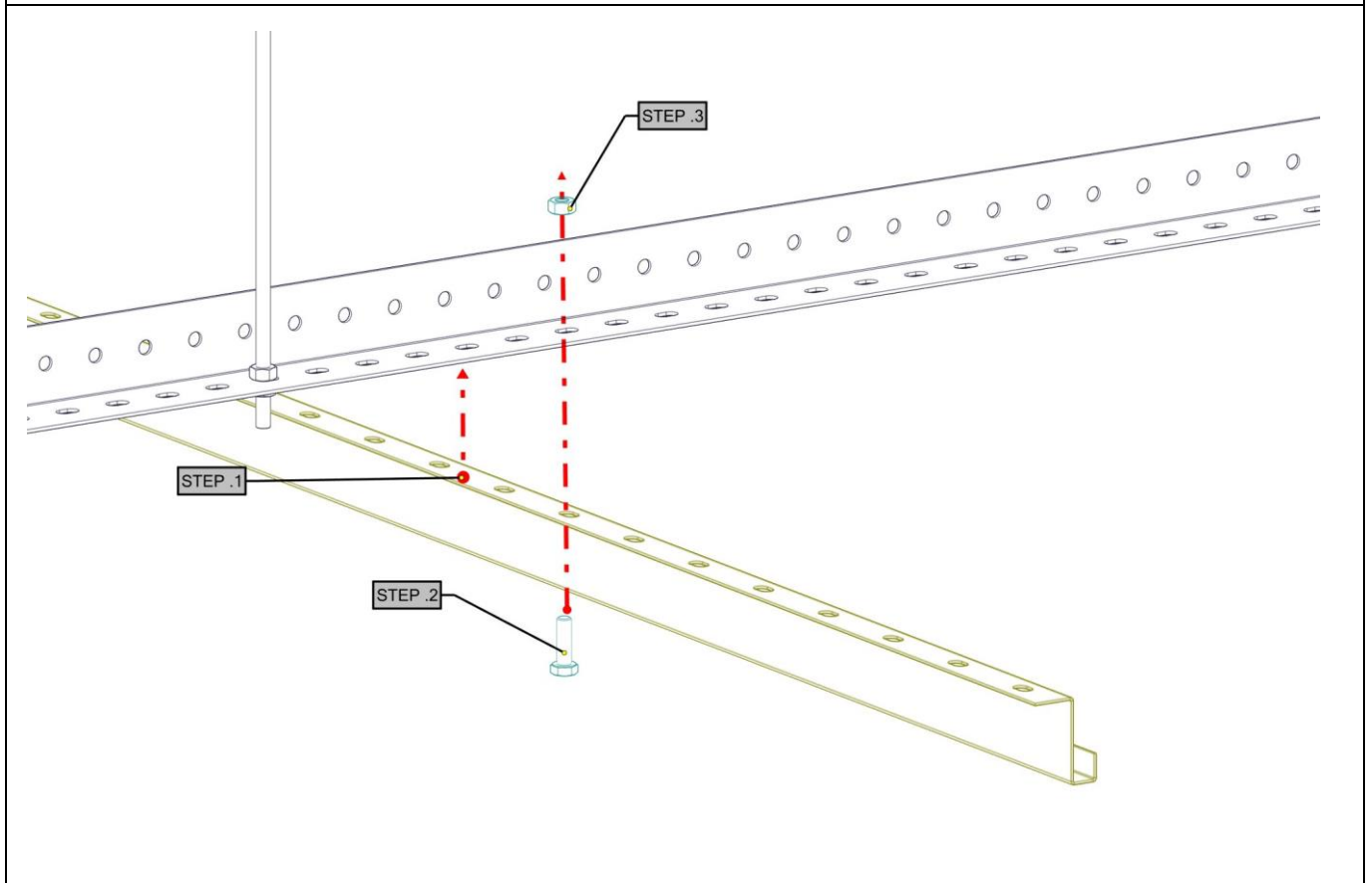
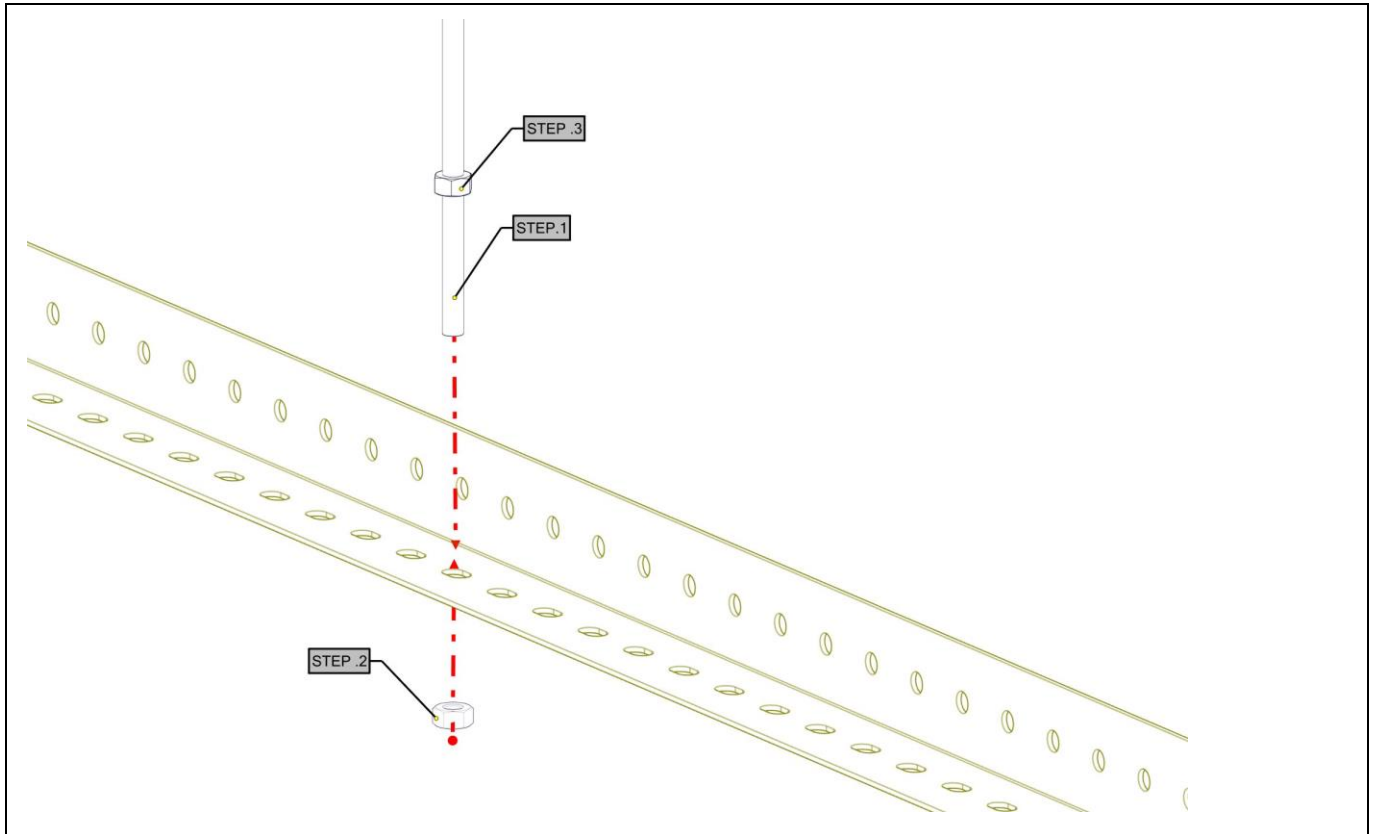


ADIM 2.



ADIM 3.

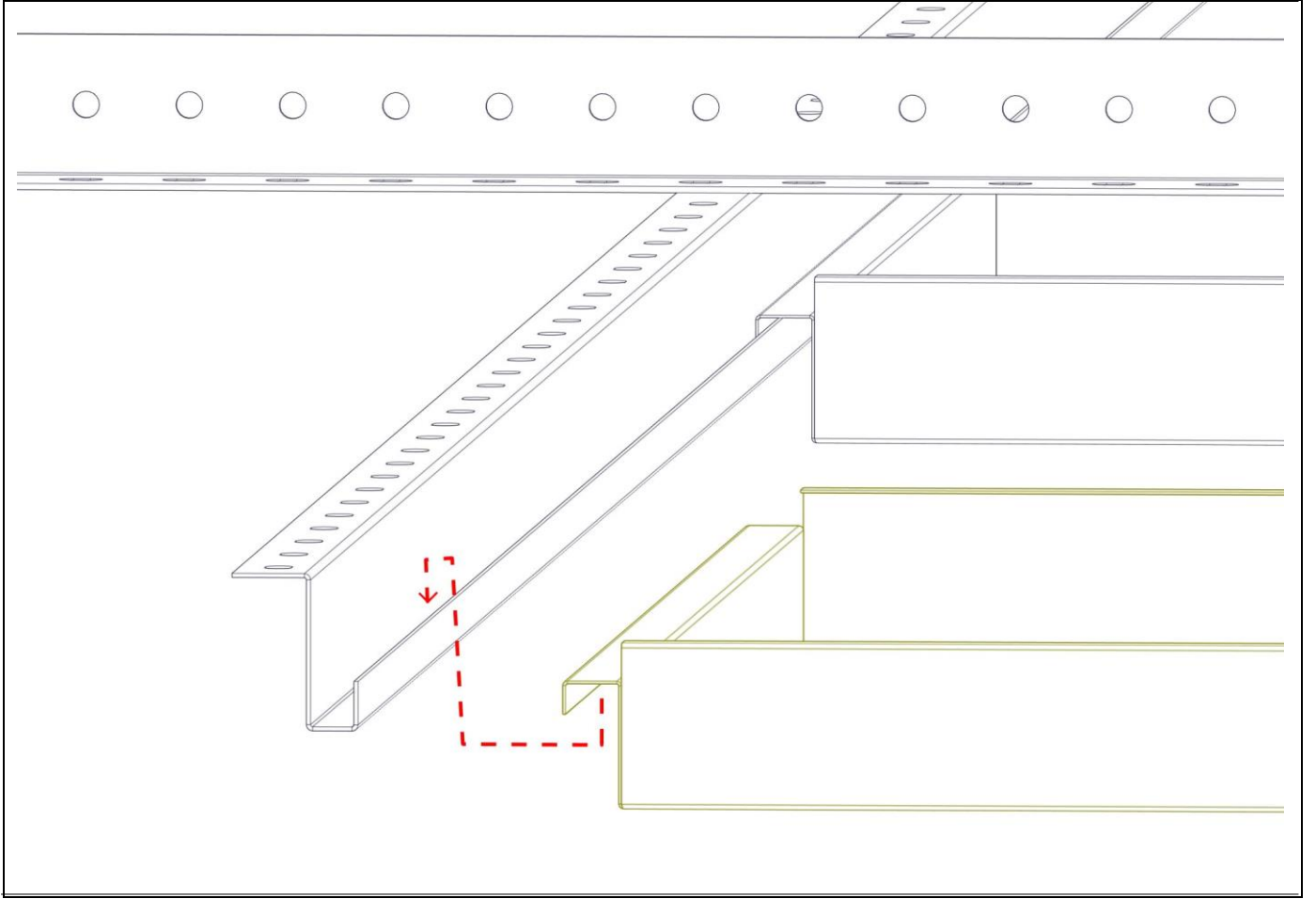
## ADIM 4.



## ADIM 5.



## ADIM 6.



# Declaration of Performance

No:A-INT.PD20171001-01



1.Uniquade identification code of the product-type:	"BUTEM" Metal Ceiling Systems
2.Type, batch or serial number or any other element allowing identification of the construction product as required pursuant to Article 11 (4):	Product Type, Order/Batch Nr.
3.Intended use or uses of the construction product, in accordance with the applicable harmonized technical specification, as foreseen by the manufacturer:	Internally, to produce an installed suspended ceiling
4.Name, registered trade name or registered trade mark and contact address of the manufacturer as required pursuant to Article 11 (5):	<b>BÜTEM METAL FORM SANAYİ TİCARET A.Ş.</b> Osman Gazi Mahallesi Ziya Gökalp Caddesi No:10 Esenyurt Istanbul Turkey T:+90 (212)886 33 00 F:+90 (212) 886 33 10 www.butemmetal.com.tr
5.Where applicable, name and contact address of the authorized representative whose mandate covers the tasks specified in Article 12 (2):	Not Applicable
6.System or systems of assessment and verification of constancy of performance of the construction product as set out in Annex V:	Systems 3
7.In case of the declaration of performance concerning a construction product covered by a harmonized standard:	(a)The manufacturer carrying out factory production control; (b) Turkish Standards Institution (TSE) /Notified Body No:1783 issued the Reaction to Fire classification report (Report No:TSE-19.01.2017-170050) according to TS EN 13501-1+A1:2013-04 as the notified testing laboratory (based on sampling carried out by the manufacturer).
8.In case of the declaration of performance concerning a construction product for which a European Technical Assessment has been issued:	Not Applicable

# Declaration of Performance

No:A-INT.PD20171001-01



## 9.Declared Performance

- (a) Column 1 shall contain the list of essential characteristics as determined in the harmonized technical specifications for the intended use or uses indicated in point 3 above.
- (b) For each essential characteristic listed in column 1 and in compliance with the requirements of Article 6, Column 2 shall contain the declared performance, expressed by level or class, or in a description, related to the corresponding essential characteristics. The letters 'NPD' (No Performance Determined) shall be indicated where no performance is declared.
- (c) For each essential characteristic listed in column 1, column 3 shall contain:
- I-Dated reference of the corresponding harmonized standard and, where relevant, the reference number of the Specific or Appropriate Technical Documentation used; or
  - II-Dated reference of the corresponding European Assessment Document where available and reference number of the European Technical Assessment used.

Essential Characteristics	Performance	Harmonized Technical Specification
<b>Reaction To fire</b>	A2-s1, d0	TS EN 13964:2014-04 + TS EN13501-1+A1:2010
<b>Release of Dangerous Substances</b>	No Content	TS EN 13964:2014-04 + TS EN13501-1+A1:2010
<b>Flexural Tensile Strength</b>	NPD	TS EN 13964:2014-04 + TS EN13501-1+A1:2010
<b>Thermal Conductivity</b>	NPD	TS EN 13964:2014-04 + TS EN13501-1+A1:2010
<b>Durability</b>	Corrosion Class B	TS EN 13964:2014-04 + TS EN13501-1+A1:2010
<b>Sound Absorption Single Value <math>a_w</math></b>	See Table Below	TS EN 13964:2014-04 + TS EN13501-1+A1:2010

Sound Absorption Single Value $a_w$	Perforation Types		
	Ø1,5 mm	Ø1,8 mm	Ø2,5 mm
JM 60	-	0,35	0,35
Royalin R6/60	0,60		
JM 60 Double	0,45		
JM60 with 25 mm 50 kg/m <sup>3</sup> rockwool	1,00		

- 10.The performance of the product identified in point 1 and 2 is in conformity with he declared performance in point 9.  
 This declaration of performance is issued under the sole responsibility of the manufacturer identified in point 4.