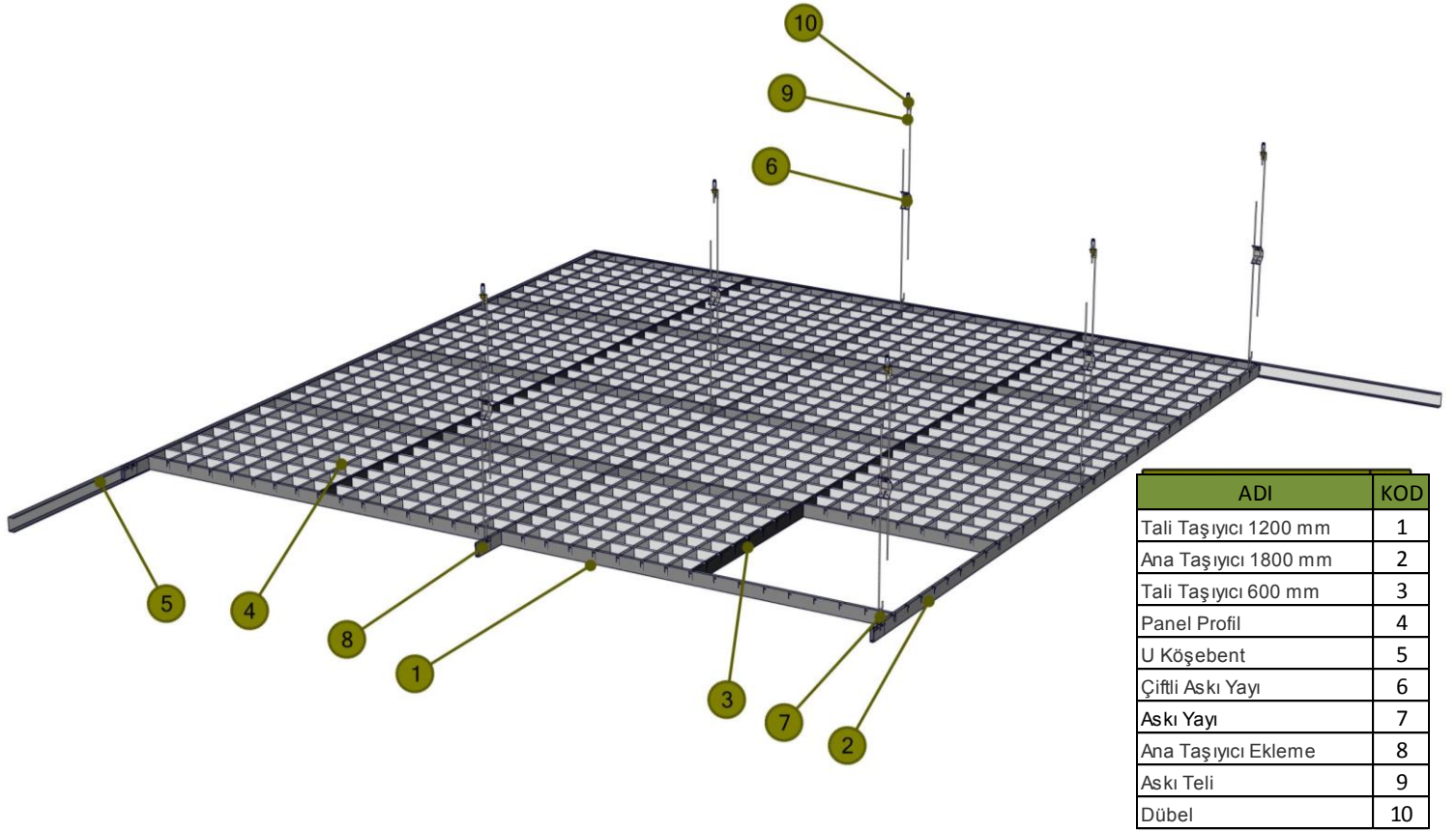
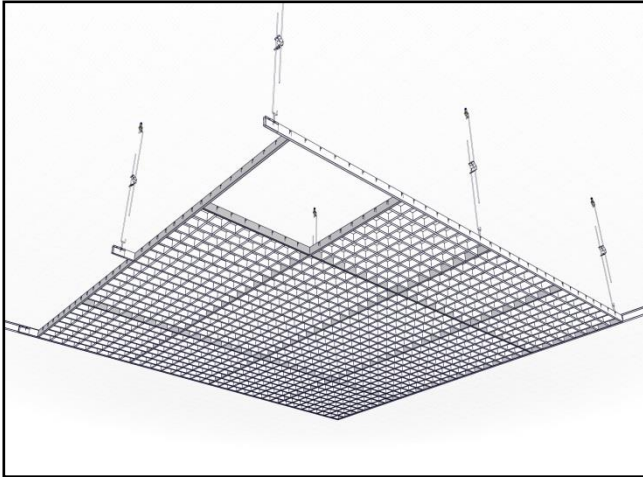
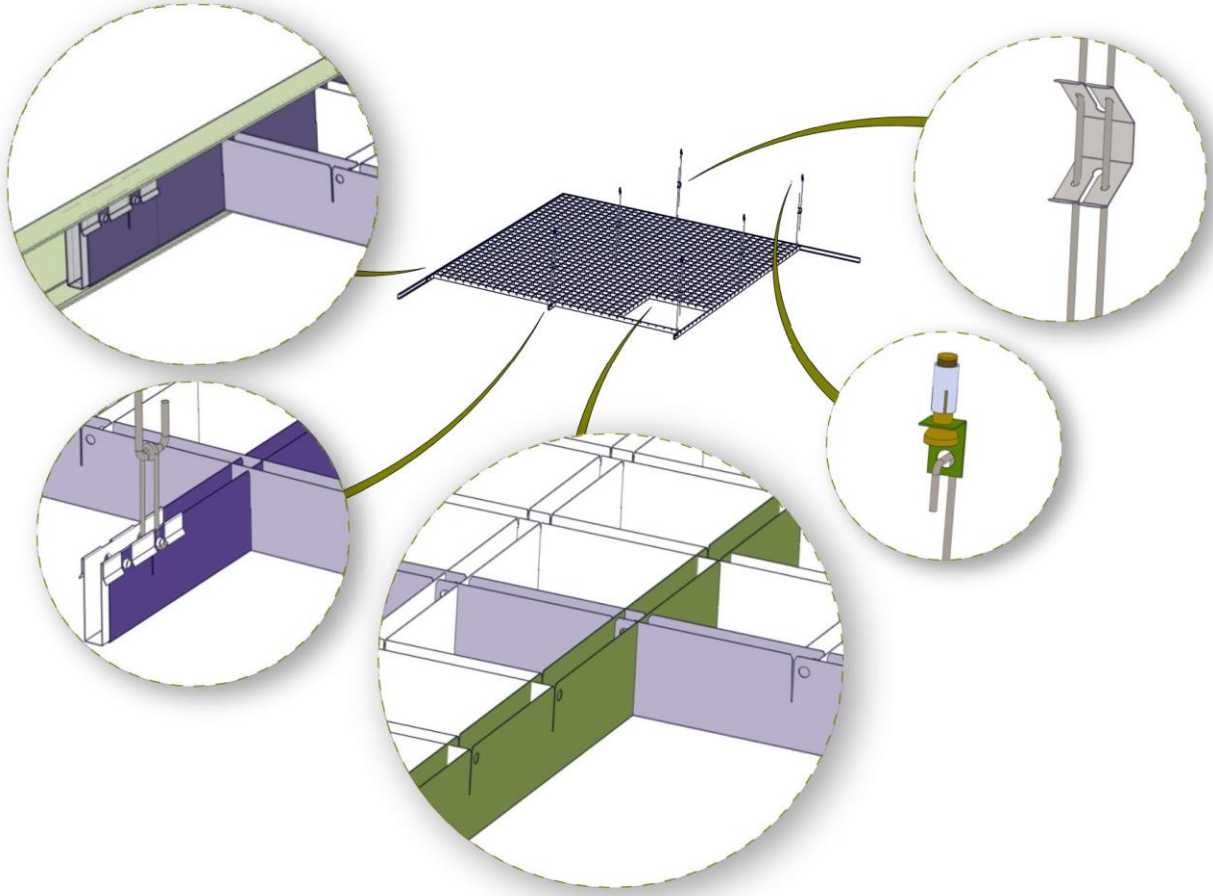


**PETEK
KENDİNDEN
TAŞIYICILI
SİSTEM**

KENDİNDEN TAŞIYICILI SİSTEM



- **Standart Göz Ölçü Alternatifleri : 100 mm - 75 mm - 50 mm.** Farklı ölçülerde paneller için, lütfen Satış Temsilcileriniz ile görüşünüz
- **Profilin standart yüksekliği 40 mm olup, 50 mm yükseklikte imalat imkanı da vardır.**



PANEL MALZEME SEÇENEKLERİ

Galvaniz Çelik/Alüminyum

AKUSTİK

Akustik kumaş ile α_w : 1,00 e kadar yüksek ses yutma değerleri

NEM / HUMIDITY

Galvaniz panel : 90% RH
Alüminyum panel : 100 % RH

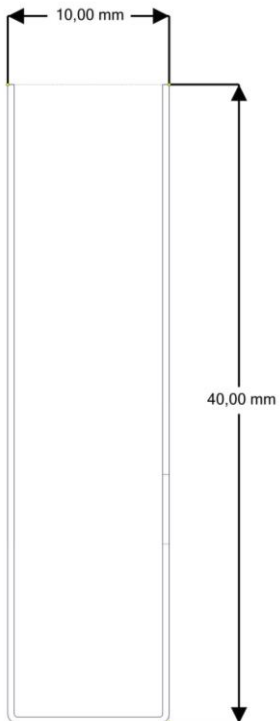
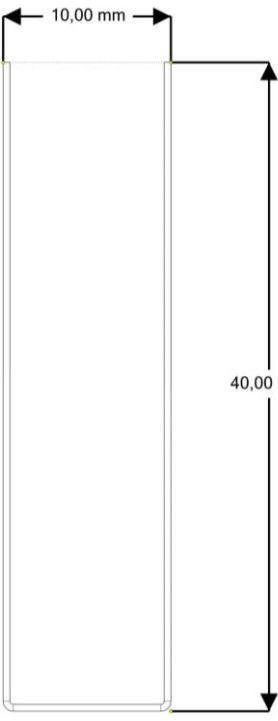
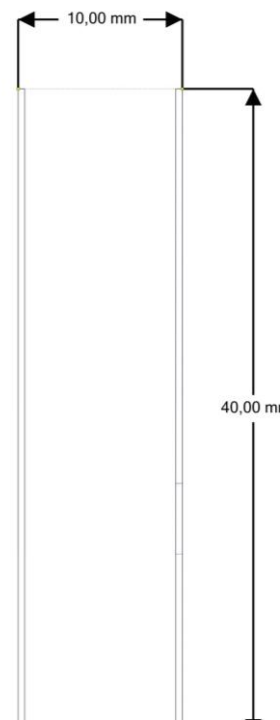
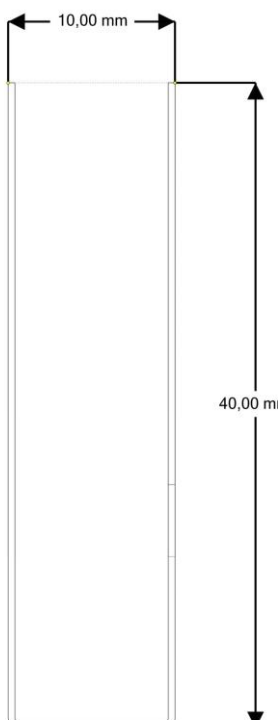
HİJYEN

Anti-Mikrobiyal boya sayesinde, panel yüzeyindeki bakteri oluşumunu engellemede yüksek performans sağlanır.

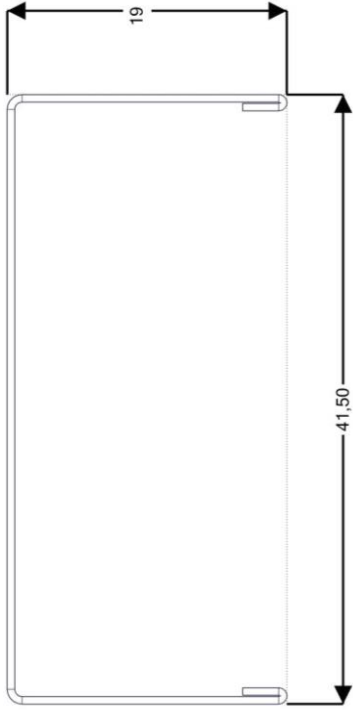
BOYA

Boya öncesinde, hassas yüzey temizliği ve fosfat kaplaması uygulanır. 6 robot kollu elektro static system sayesinde minimum 60 mikron boya panele uygulanır ve 180 mt uzunluğundaki fırında pişirilir. Tüm boyama işlemi otomatik olarak bilgisayar kontrolünde gerçekleşir.

SİSTEM PARÇALARI ÖZELLİKLERİ

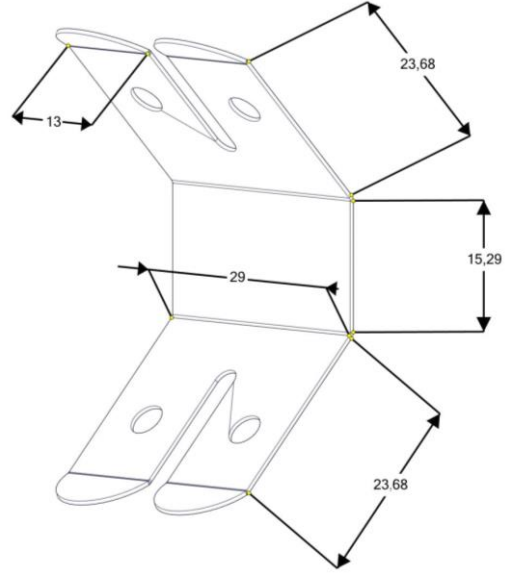
| | |
|---|--|
| <p>1. Tali Taşıyıcı 1200 mm</p>  <p>10,00 mm</p> <p>40,00 mm</p> | <p>2. Ana Taşıyıcı 1800 mm</p>  <p>10,00 mm</p> <p>40,00 mm</p> |
| <p>T : 0,40 mm Alüminyum W : 10 mm H : 40 mm L : 1200 mm</p> | <p>T : 0,40 mm Alüminyum W : 10 mm H : 40 mm L : 1800 mm</p> |
| <p>3. Tali Taşıyıcı 600 mm</p>  <p>10,00 mm</p> <p>40,00 mm</p> | <p>4. Panel Profil</p>  <p>10,00 mm</p> <p>40,00 mm</p> |
| <p>T : 0,40 mm Alüminyum W : 10 mm H : 40 mm L : 600 mm</p> | <p>T : 0,40 mm Alüminyum W : 10 mm H : 40 mm L : 600 mm</p> |

5. U Köşebent



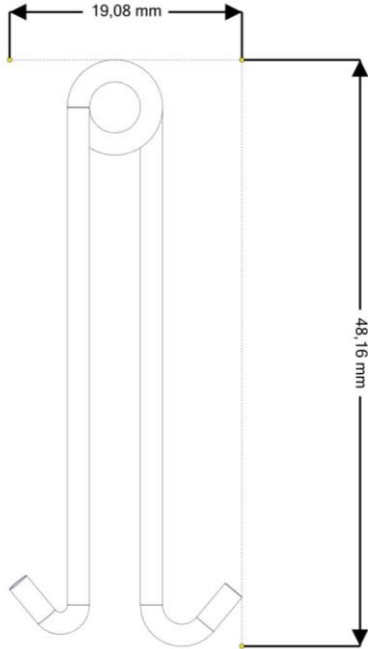
T : 0,4 mm Boyalı Çelik
W : 19 mm H : 41,50 mm L : Up to 3000 mm

6. Çiftli Askı Yayı



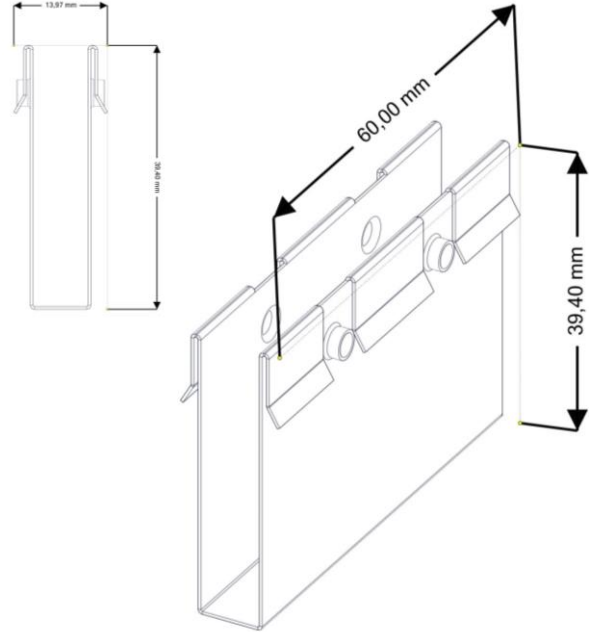
T : 0,50 mm Yay Çeliği

7. Askı Yayı



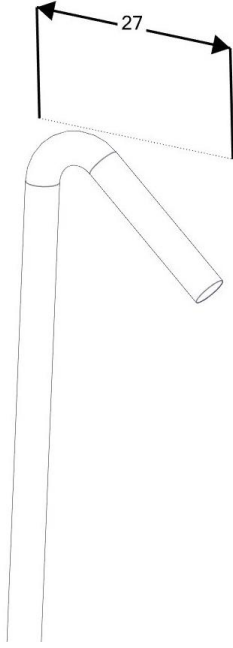
T : Ø 1,80 mm Çelik
W : 19 mm H : 48 mm

8. Ana Taşıyıcı Ekleme



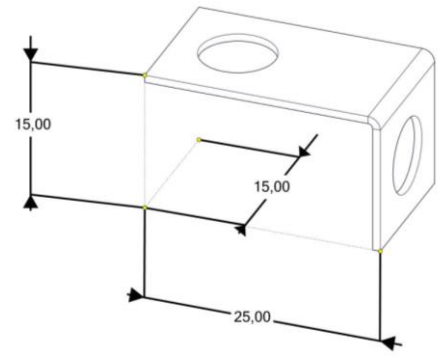
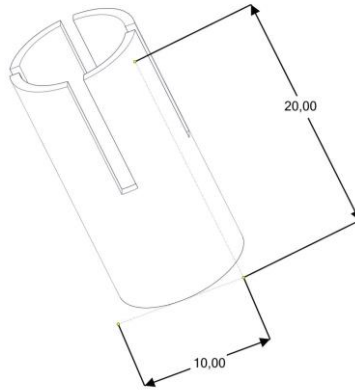
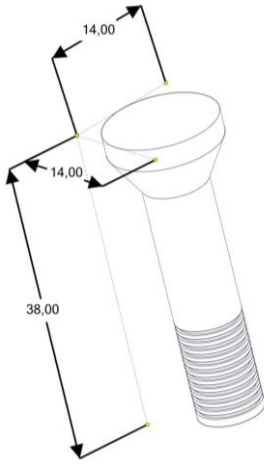
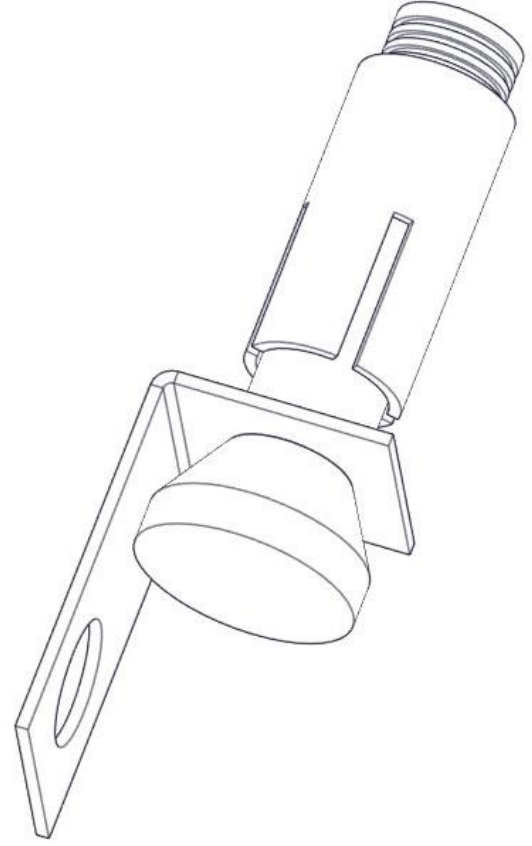
T : 0,4 mm Alüminyum / Çelik
W : 14 mm H : 39,50 mm L : 60 mm

9. Askı Teli



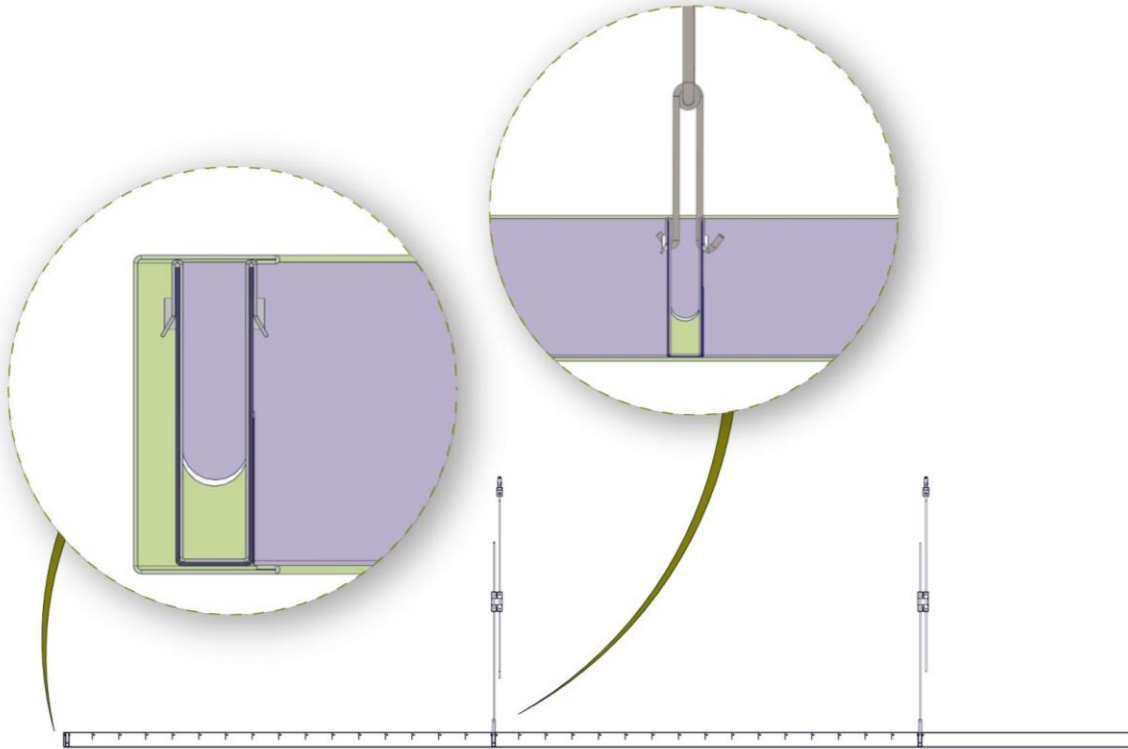
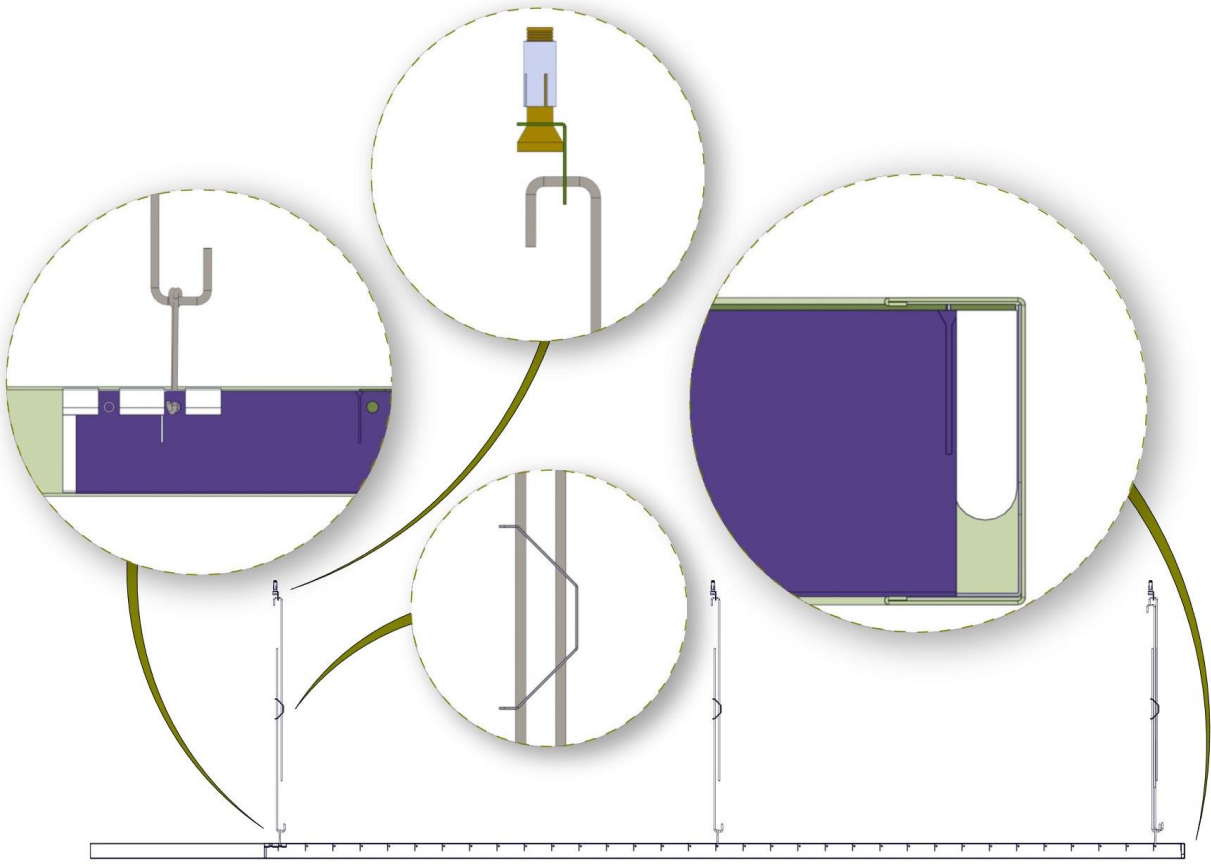
T : Ø 4 mm Galvaniz Çelik
L : Max 2000 mm

10. Dübel



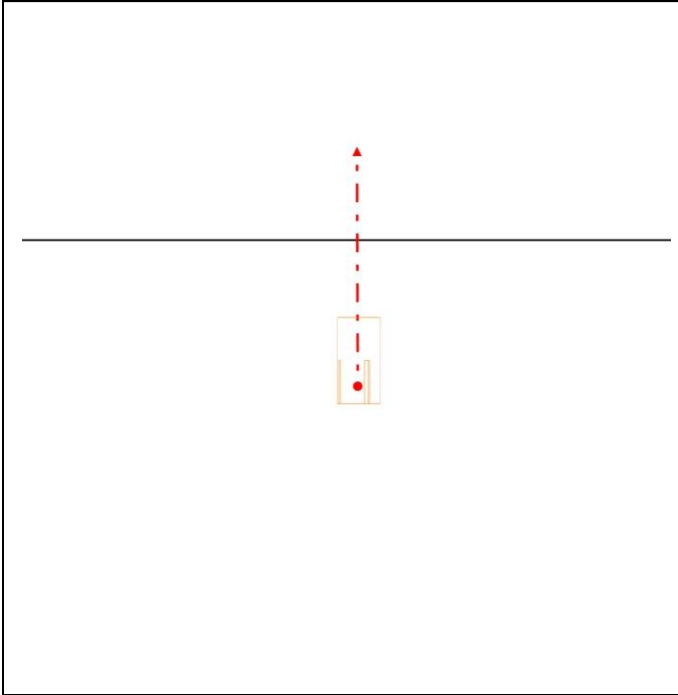
T : 0,2 mm / 0,8 mm / Ø 8 mm Galvaniz Çelik

DETAYLI KESİT

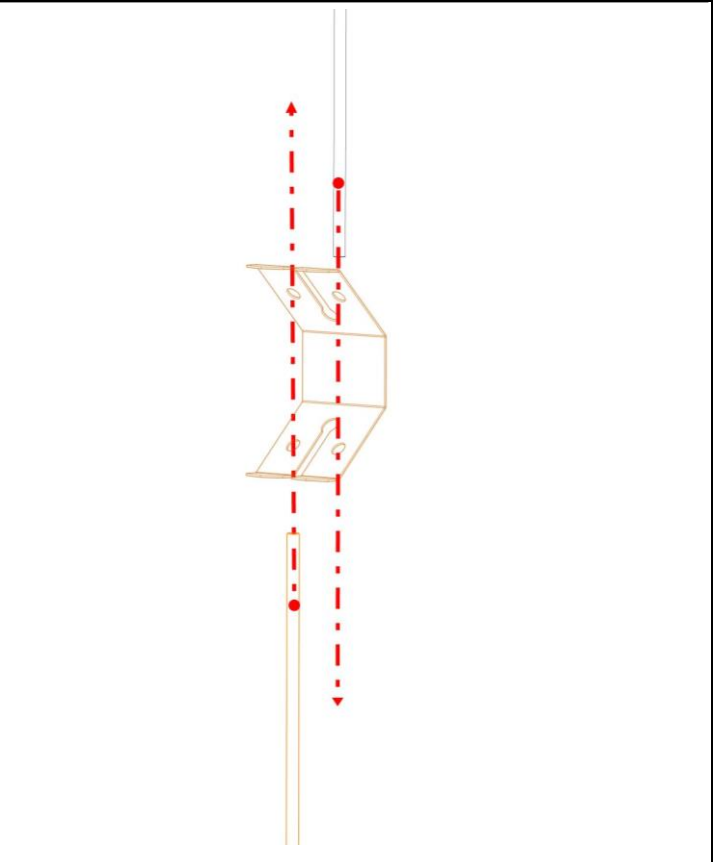
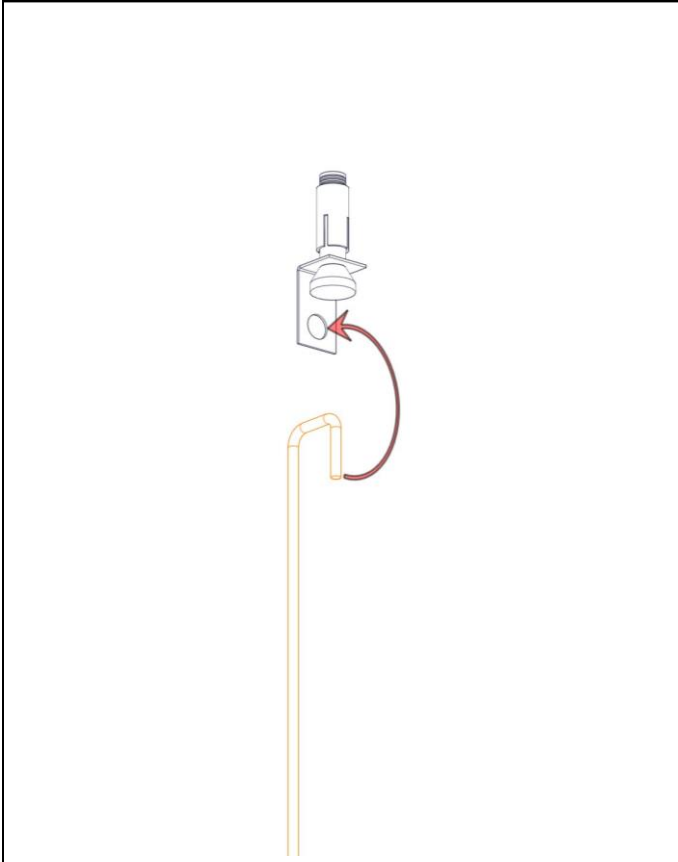
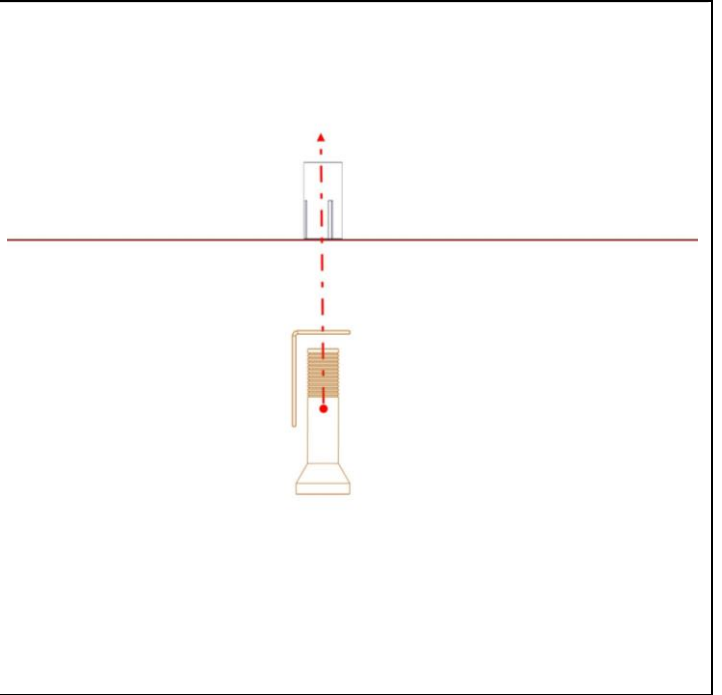


UYGULAMA TEKNİĞİ

ADIM 1.



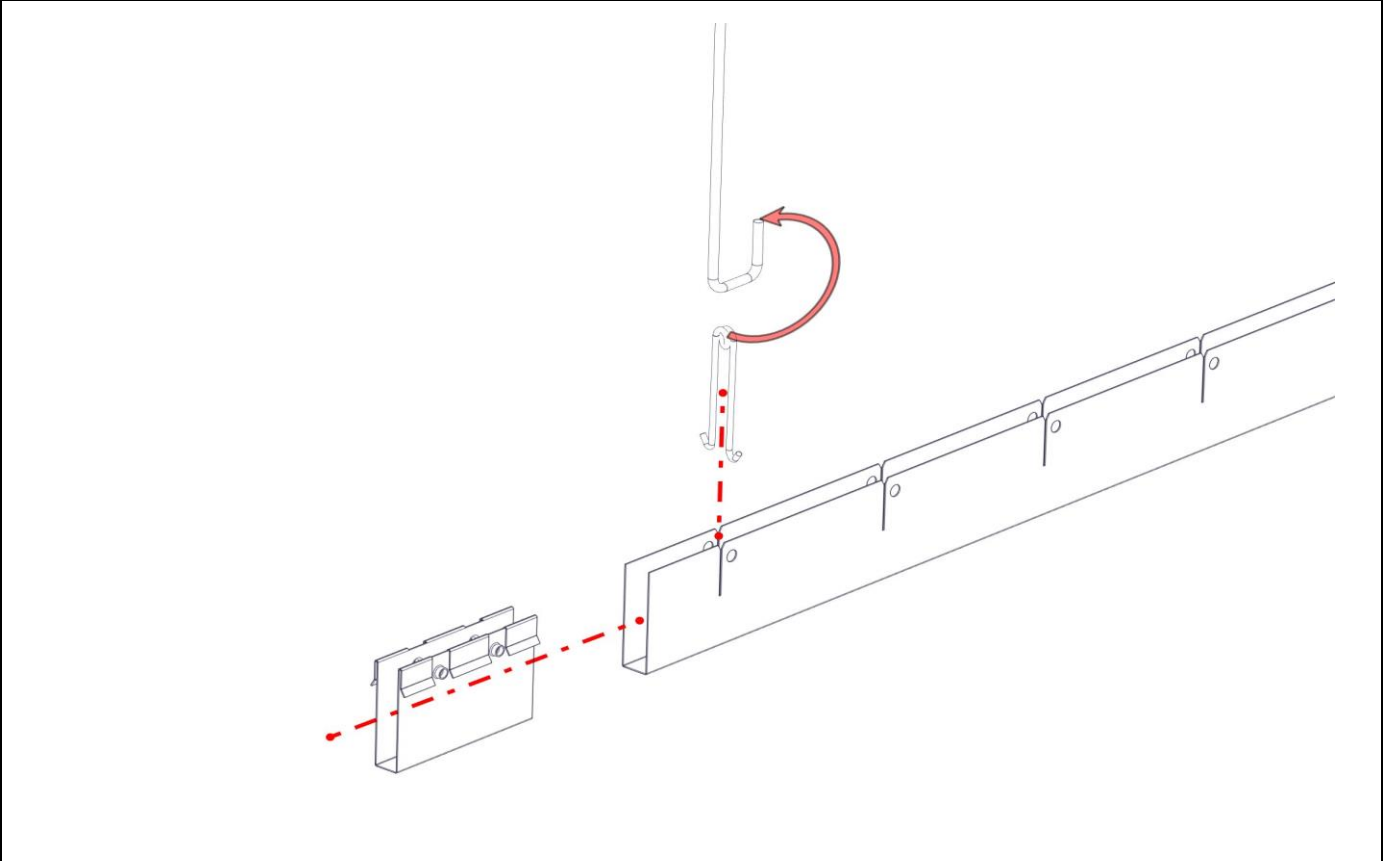
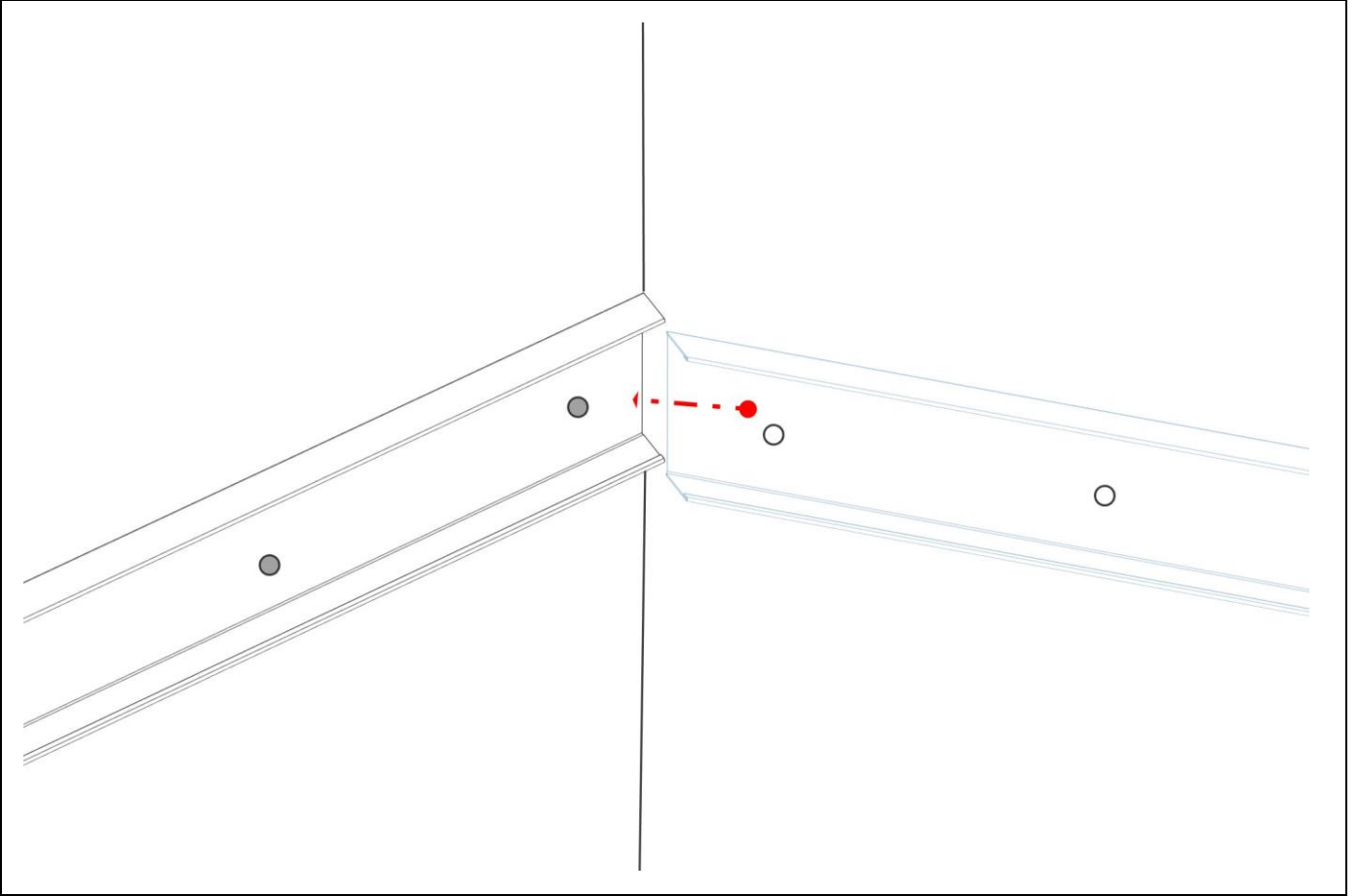
ADIM 2.



ADIM 3.

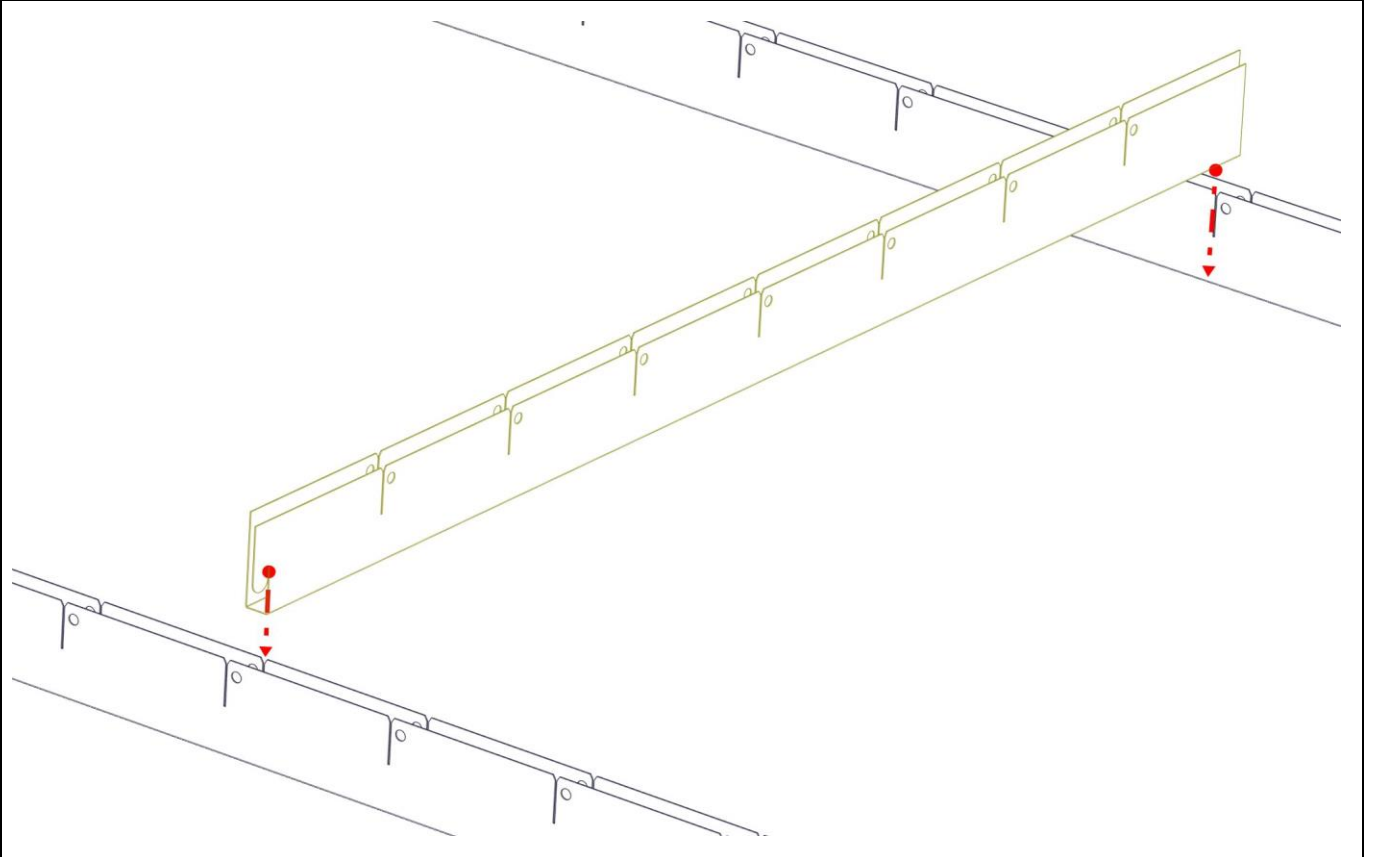
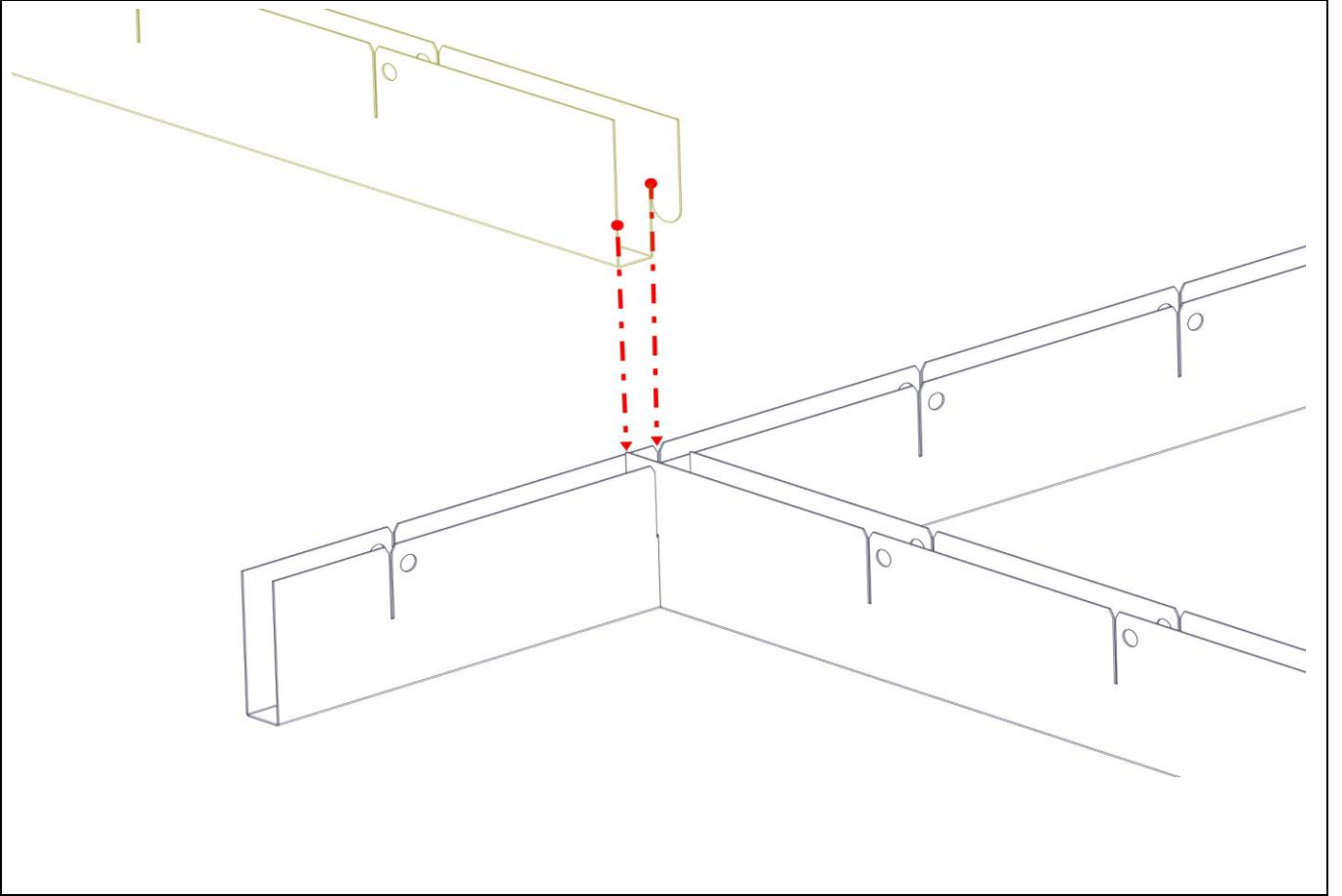
ADIM 4.

ADIM 5.



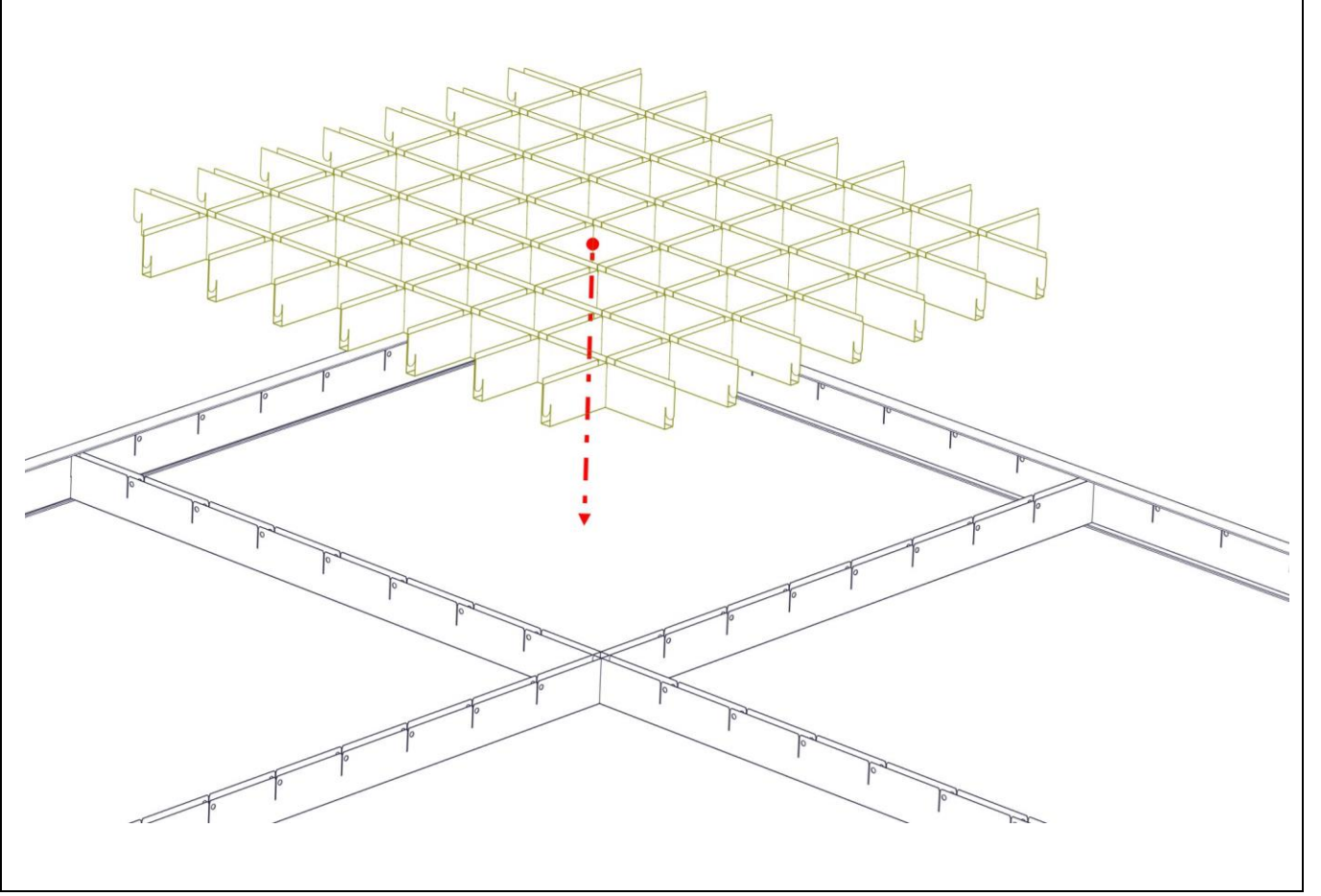
ADIM 6.

ADIM 7.



ADIM 8.

ADIM 9.



Declaration of Performance

No:A-INT.PD20171001-01



| | |
|--|--|
| 1.Uniquade identification code of the product-type: | "BUTEM" Metal Ceiling Systems |
| 2.Type, batch or serial number or any other element allowing identification of the construction product as required pursuant to Article 11 (4): | Product Type, Order/Batch Nr. |
| 3.Intended use or uses of the construction product, in accordance with the applicable harmonized technical specification, as foreseen by the manufacturer: | Internally, to produce an installed suspended ceiling |
| 4.Name, registered trade name or registered trade mark and contact address of the manufacturer as required pursuant to Article 11 (5): | BÜTEM METAL FORM SANAYİ TİCARET A.Ş. Osman Gazi Mahallesi Ziya Gökalp Caddesi No:10 Esenyurt Istanbul Turkey T:+90 (212)886 33 00 F:+90 (212) 886 33 10 www.butemmetal.com.tr |
| 5.Where applicable, name and contact address of the authorized representative whose mandate covers the tasks specified in Article 12 (2): | Not Applicable |
| 6.System or systems of assessment and verification of constancy of performance of the construction product as set out in Annex V: | Systems 3 |
| 7.In case of the declaration of performance concerning a construction product covered by a harmonized standard: | (a)The manufacturer carrying out factory production control; (b) Turkish Standards Institution (TSE) /Notified Body No:1783 issued the Reaction to Fire classification report (Report No:TSE-19.01.2017-170050) according to TS EN 13501-1+A1:2013-04 as the notified testing laboratory (based on sampling carried out by the manufacturer). |
| 8.In case of the declaration of performance concerning a construction product for which a European Technical Assessment has been issued: | Not Applicable |

Declaration of Performance



No:A-INT.PD20171001-01

9.Declared Performance

- (a) Column 1 shall contain the list of essential characteristics as determined in the harmonized technical specifications for the intended use or uses indicated in point 3 above.
- (b) For each essential characteristic listed in column 1 and in compliance with the requirements of Article 6,Column 2 shall contain the declared performance, expressed by level or class, or in a description, related to the corresponding essential characteristics. The letters 'NPD' (No Performance Determined) shall be indicated where no performance is declared.
- (c) For each essential characteristic listed in column 1,column 3shall contain:
- I-Dated reference of the corresponding harmonized standard and, where relevant, the reference number of the Specific or Appropriate Technical Documentation used; or
 - II-Dated reference of the corresponding European Assessment Document where available and reference number of the European Technical Assessment used.

| Essential Characteristics | Performance | Harmonized Technical Specification |
|---|-------------------|--|
| Reaction To fire | A2-s1, d0 | TS EN 13964:2014-04 + TS EN13501-1+A1:2010 |
| Release of Dangerous Substances | No Content | TS EN 13964:2014-04 + TS EN13501-1+A1:2010 |
| Flexural Tensile Strength | NPD | TS EN 13964:2014-04 + TS EN13501-1+A1:2010 |
| Thermal Conductivity | NPD | TS EN 13964:2014-04 + TS EN13501-1+A1:2010 |
| Durability | Corrosion Class B | TS EN 13964:2014-04 + TS EN13501-1+A1:2010 |
| Sound Absorption Single Value a_w | See Table Below | TS EN 13964:2014-04 + TS EN13501-1+A1:2010 |

| Sound Absorption Single Value a_w | Perforation Types | | |
|--------------------------------------|-------------------|---------|---------|
| | Ø1,5 mm | Ø1,8 mm | Ø2,5 mm |
| JM 60 | - | 0,35 | 0,35 |
| Royalin R6/60 | 0,60 | | |
| JM 60 Double | 0,45 | | |
| JM60 with 25 mm 50 kg/m3 rockwool | 1,00 | | |

10.The performance of the product identified in point 1 and 2 is in conformity with he declared performance in point 9.

This declaration of performance is issued under the sole responsibility of the manufacturer identified in point 4.